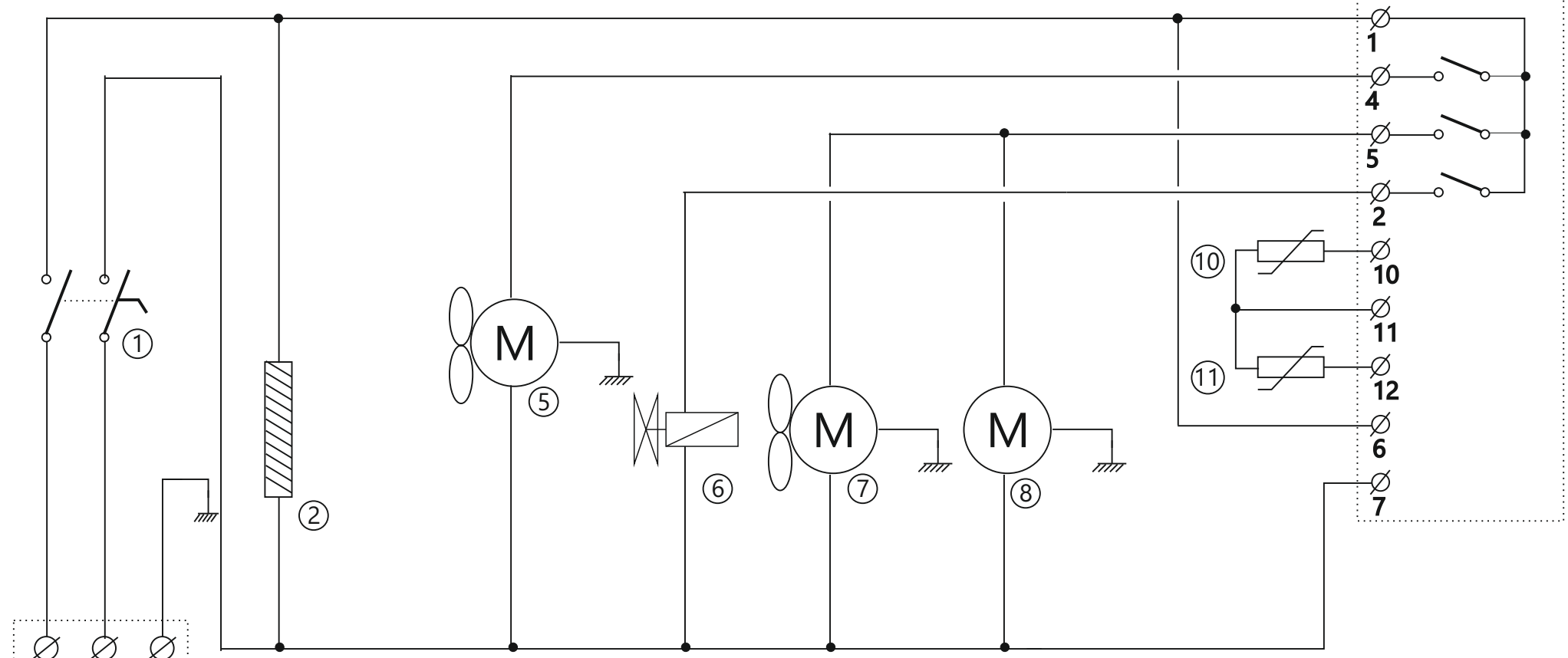


XB06CX



- ① Main switch
- ② Door frame heater
- ⑤ Evaporator fan
- ⑥ Solenoid valve
- ⑦ Condenser fan
- ⑧ Compressor
- ⑩ Evaporator probe
- ⑪ Cabinet probe