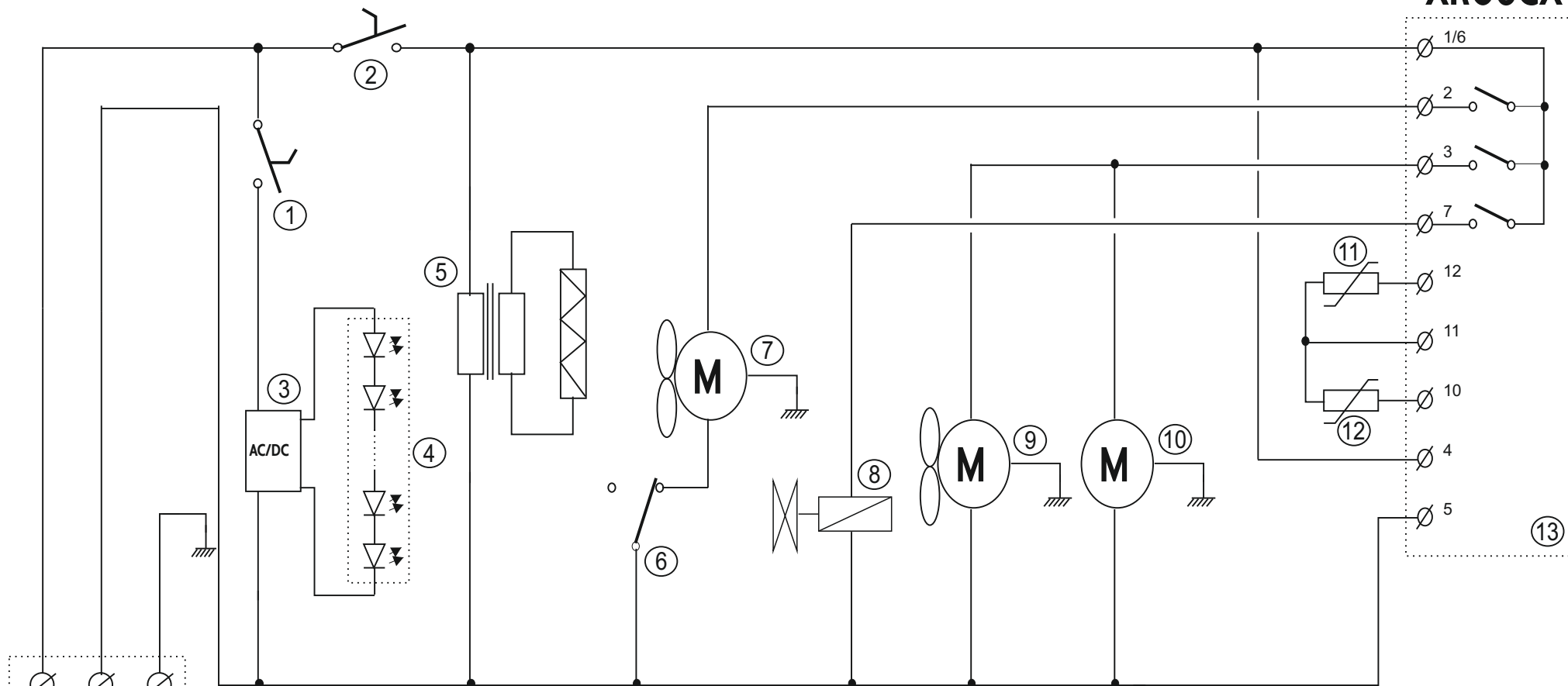


# XR06CX



① Light switch

② Main switch

③ LED power supply

④ LED strips

⑤ Transformer for glass heaters

⑥ Door switch

⑦ Evaporator fan

⑧ Defrost valve

⑨ Condenser fan

⑩ Compressor

⑪ Cabinet probe

⑫ Evaporator probe

⑬ Thermostat