

TEFCOLD®



ICE MAKERS

Users manual



Models:
TC-Range

Dear Customer,

Please always have your Ice Maker installed by an Authorized Service. Your manufacturer's warranty might become void in the case your Ice Maker has been installed by a third-party service.

NOTE:

This User's Manual has been issued for several models. Some features mentioned in this manual (indicated by *) may not be available on your product.

“READ THE INSTRUCTIONS BEFORE ASSEMBLING OR USING THIS ICE MAKER.”

This product has been manufactured in environment-friendly modern facilities without harming the environment.

CONTENTS

1.

Safety warnings	4
General Outlook and Technical Specifications	5
Installation of Your Ice Maker	6
Installation	7
Use Of the Ice Maker	8
Cleaning and Maintenance of Your Ice Maker.....	9
Scope of Warranty.....	11
Figures/Images.....	12

SAFETY WARNINGS

1. Always plug in your product to a grounded power outlet.
2. Your ice maker is designed to operate at voltage shown on Technical Table.
Running the product at a different voltage may cause the product to become dysfunctional or even may cause fire.
3. Do not place your ice maker next to any heat source.
4. Set up your ice maker at a humidity-free location and with un-obstructed air circulation around the unit.
5. After the installation is done, do not move your ice maker and wait for at least two hours to start it.
6. Make sure you cleaned the inside surface of your product before first use.
7. Do not use power strips or extension cords to run your product.
8. Protect the power cord against hot surfaces.
9. Do not let un-trained and/or unsupervised children younger than 8 years old operate your ice maker.
10. The cleaning and maintenance of the device should not be made by children unless they are under supervision. (Whoever wrote this must have had a bad experience or trouble with children)

NOTE



This product bears (AEEE/WEEE) classification symbols indicating waste electric and electronic equipment. Accordingly, the user must comply with the European directive 2002/96/EC on recycling for the purpose of minimizing the impact of the waste product on the environment. It is recommended to communicate with local authorities about waste disposal.

Caution! This contains information necessary for prevention of serious hazards which may cause the product to become dysfunctional or may cause injury or loss of life and property during the use of the product.

Warning against electric shock.

This indicates the explanatory and facilitating information related to use of the product.

GENERAL OUTLOOK AND TECHNICAL SPECIFICATIONS



Small differences in color and other variations are possible for different visualization, imaging technologies or other technical reasons. The manufacturer is not liable for these differences and deviations. No rights can be obtained due to typographical errors, product descriptions or obvious errors on the website.

* Adjustable legs can vary according to product models.

INSTALLATION OF ICE MAKER

Selection of Location for Your Product

Your product should not be in direct contact with or near any heat source.

You should leave at least 10 cm of distance if you place your ice maker next to other electrical equipment (such as ovens, computers etc,) that are considered as heat sources.

If the product is to be placed next to a wall, the distance between the back surface of the product and the wall should not be less than 20 cm (See Figure-7).

Do not place objects in front of the ventilation filter of your ice maker that might prevent air circulation into your product.

Do not place your product outdoors. This product is designed to be used indoors.

Electrical Connection

The voltage and frequency values of the main power supply have to be the same as written on the product label. If you are in doubt or need assistance, please contact the nearest Authorized Service or get help from a qualified electrician.

Make sure your power outlet has been grounded.

The amperage of the circuit breaker to which the product will be plugged in should be 10A**. (See Technical Table / Entry fuse section.)

Do not use power strips with multi sockets or extension cords to operate your product.

Water Use and Connection

Your ice maker is designed to make ice cubes within the most ideal time and size. However, it is important to note that there are some things that will affect the quality of the ice produced by the machine, as well as the health of the internal components of the ice maker.

The Water Supply

Should be good for human consumption, Should have an optimum level of hardness, Should include minimal amount of chlorine.

The optimum water filters to be used on your product are available and can be purchased from your Authorized Service.

Water temperature should be between 10°C and 30°C

INSTALLATION

Remove and disassemble all packaging materials of the product before installation.

The ice slide grate, waterproofing plastics and the ice scoop are provided inside the product. If any part or accessory is missing, please contact our customer services.

Clean the inner cabinet with warm water and a soft cloth before using the ice maker. Clean the ice trays with warm soapy water. Dry with a soft, cotton cloth. After placing the ice maker at the installation point, wait 2 (two) hours before operating to get the cooling system pressure stabilized. Install the parts inside the ice maker in accordance with the assembly instructions.

The cold water inlet pressure must not exceed the operating water pressure (5 Bar) indicated on the technical data sheet. If the line pressure is higher than 5 Bar, a pressure reducer must be installed.

Connect your device to the mono phase - grounded power supply of the rating indicated on the nameplate. Your device is designed to function normally within $\pm 10\%$ of the main voltage. If this range cannot be provided in your local power network, it is recommended to use a voltage regulator.

If it is necessary to change the location of your ice maker, be sure to transport the unit according to the markings on the original packaging of the device.

Protect your device against factors that may damage the package and the device (moisture, water, impact, chemical, etc.).

Only Authorized Service should disassemble the device. Never interfere with the internal parts and elements of the ice-maker.

The device must be commissioned by the Authorized Service.

Failure to comply with the above conditions will void your product warranty.

Do not leave packaging materials (plastic bags, nylon, etc.) within the reach of children.

The manufacturer reserves the right to change the information in this manual. Therefore; this booklet does not constitute a commitment to specifications.

USE OF THE ICE MAKER

Operating the Ice Maker

After installing your Ice Maker following the instructions above and making all necessary connections;

1. Make sure that the power outlet you are using for your ice-maker is live and has power.
2. Turn on the water.
3. Set the On-Off button at the front of your product to the On position.
(When you set it to the On position, the power light on the button will turn on.)
4. The product will automatically go into a delay-time mode for 5 minutes after it is turned on.
5. At the end of the delay-time mode, the product will start getting water and making ice.
6. Your product will complete the ice-making cycle after a certain time, depending on the ambient and water temperature.

NOTE

In order to allow your product to make ice in the optimum dimple size and time, you need to wait for at least 2 hours after the installation, before turning on the machine.

Shutting Off The Ice Maker

Set the power button at the front of your Ice Maker to “Off” position. Unplug the product if you are not going to use the ice-maker for a long time. Turn off the water.

There are some malfunction and warning signals defined for the Red light on the power button of the product as detailed in the chart below:

Function Mode	On	Off
Cleaning	3 sec	1 sec
Fault	2 sec	2 sec
Ice Bin Full	1 sec	1 sec

CLEANING AND MAINTENANCE OF YOUR ICE MAKER

Safety rules must be observed before cleaning your Ice Maker:

1. Unless otherwise specified, turn off and unplug the unit before starting to clean the Ice Maker.
2. The outer cabinet of the product should only be cleaned by wiping with a damp cloth. Do not spray the unit with water or any other cleaning solvent. This causes undesired electrical failures and jeopardizes the safety of the user.
3. Always wear protective gloves and similar protective equipment during cleaning.
4. Never use cleaning agents and chemicals which may cause cutting, piercing and corrosion to your product. Your Ice Maker will be out of warranty if chemicals are used for cleaning.
5. Do not use any cleaning agents not recommended by your Authorized Service.

Exterior Cleaning of the Ice Maker

The exterior of your ice-maker is made of stainless steel. Wipe the exterior surfaces with a cotton damp cloth or a sponge and then wipe it with a dry, clean cotton cloth.

Cleaning of the Sprayer System

1. Make sure the water and electrical connections of the product are off, in compliance with the cleaning instructions above.
2. Remove all the ice from the storage bin.
3. The power switch should be off, and the water inlet valve should be opened.
4. Remove the slide grate located inside the inner basin and then remove the level discharge plastic from its slot, and ensure the water to be discharged. (See Figure-3)
5. Place the water level drain plastic group back to its slot after discharging the water inside the pool. (See Figure-4)
6. Then, pour the cleaning solution recommended by Authorized Service into the water pool.
7. Select the 'cleaning' setting on your product, then turn the power switch to the "On" position. WITHIN 30 SEC OF TURNING ON THE POWER, YOU MUST PRESS AND HOLD THE 'CLEANING' BUTTON FOR 9 SEC. (See Figure-5)
8. The cleaning process will continue for 10 minutes.
9. At the end of the cleaning cycle, remove all the produced ice from storage bin.

Do not turn off the product while cleaning is in progress.

After the cleaning process, discharge the water inside the inner basin. (See figure 3)

Right after this cleaning, the Ice Set must be cleaned.

Cleaning of the Ice Set

To remove the top cover, remove the screws in “Figure-6”. Remove the plastic cover on the cooling pipes. Clean the cooling pipes and visible surfaces in the tank with cleaning solution / soapy cloth. Then rinse and then dry. Close the plastic cover that protects the cooling system pipes and then close the top cover of the product. Then replace the screws.

Cleaning of the Ice Storage Bin

1. To clean the ice bin, first turn the power switch to the “Off” position. Then disconnect the product from the main power supply.
2. Drain the ice completely from the ice bin.
3. Wipe the inside of the ice bin with cleaning solution / soapy cloth and then rinse / dry.
4. Take care not to allow any lime and/or cleaning solution residue to remain.

Cleaning of the Water Inlet Filter

1. Disconnect the Ice Maker from main power supply.
2. Disconnect the water connection of your ice maker.
3. Remove the water inlet filter. (The frequency of cartridge replacement varies depending on the usage period, but it is recommended to change every 6 months.)
4. Follow the filter manufacturer’s maintenance and cleaning instructions / recommendations to perform cleaning and maintenance of the water inlet filter.

Then return the Ice Maker to operation by following the installation instructions.

The applications specified in the product cleaning instructions should be performed at least 4-5 times a year.

SCOPE OF WARRANTY

This warranty provided by our company does not cover the repair of defects caused by unusual use of the ice maker, and the following items are excluded from the warranty.

Malfunctions and damages caused by the operator during use.

Malfunctions and damages that occurred during shipment or during loading or unloading and during delivery to the end-user.

Malfunctions and damages that occurred due to low or high voltage, usage contrary to the voltage written on the label of the product and the electrical installation.

Malfunctions and damages that occurred after any fire or lightning during use.

Malfunctions resulting from use of the product contrary to the warnings and methods specified in the user manual.

The repairing of the above-mentioned malfunctions shall not be included in the scope of the warranty, the repair shall be charged.

The shipment to the place of use and the assembly of the product are excluded from the product price.

The responsibility for confirming and granting Warranty Certificate to the consumer shall belong to the seller, reseller, agency or representation from which the consumer bought the good.

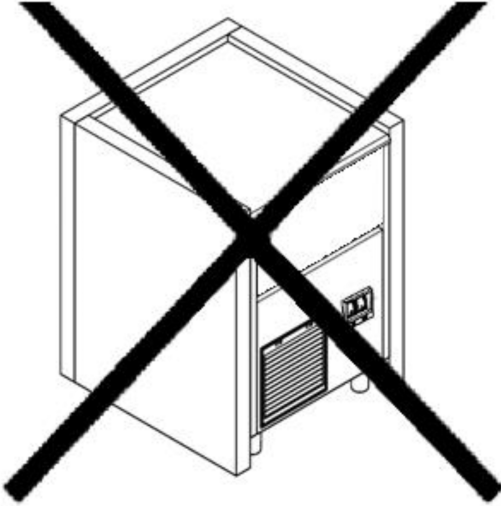
The warranty is valid for the period mentioned in the warranty certificate and only for the malfunctions that occurred in the product; no other claims, for a refund, repair or replacement shall be done. In the case that any destruction/falsification of the original serial number recorded on the warranty certificate and on the product is found, the product shall be out of warranty. As for the repairs within the scope of the warranty, only the services specified in the warranty certificate or on our website are authorized.

The presence of particles in the water due to quality of the water supply and / or contamination with dirt, installation residue, burrs, slag and so on will adversely affect the operation of the ice maker.

Such contamination may cause inefficient operation, no ice making, loud noises, etc.

Problems with the machine due to plumbing and/or calcified water are not covered by the warranty.

LOCATION



Location: The ice machine must be located inside temperature-controlled room.

Running the ice machine outdoors or in an area that the temperature can go outside of the working limits may harm the machine, and your warranty may become void. Ice machines are designed and built with the highest respect for security.

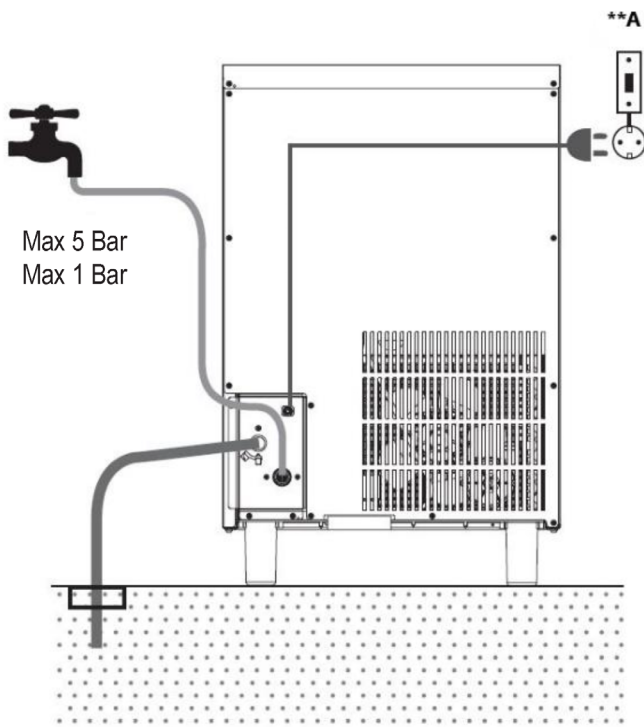


Location: In case the unit is located in an area with no side ventilation, ice maker does not work properly. Leaving enough room around the unit will allow the unit work properly.

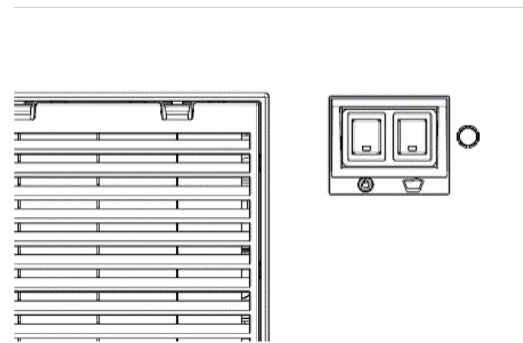
Normal ice-production capacity is directly relevant with the condenser air delta temperature, water temperature, states of the condenser air channel and age of the machine.

FIGURES

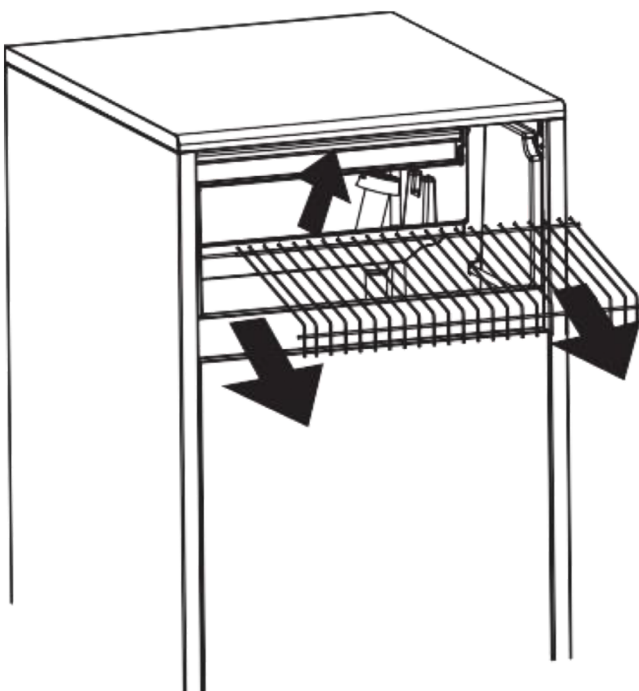
01



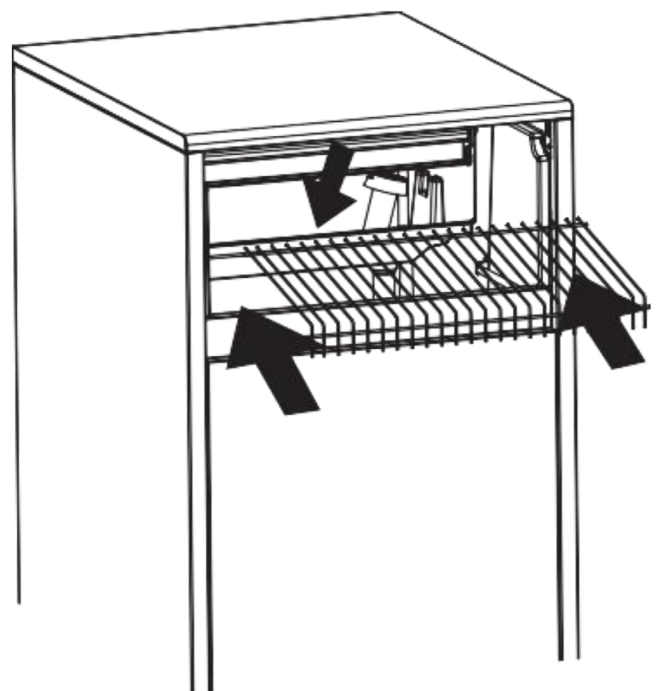
02



03

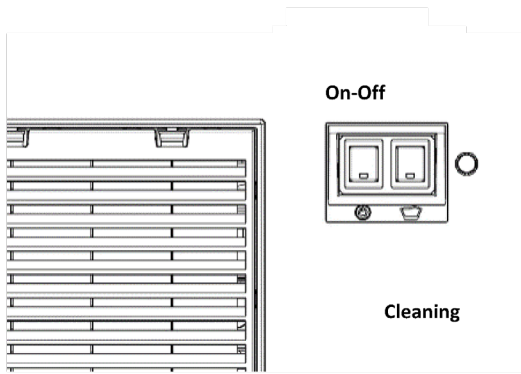


04

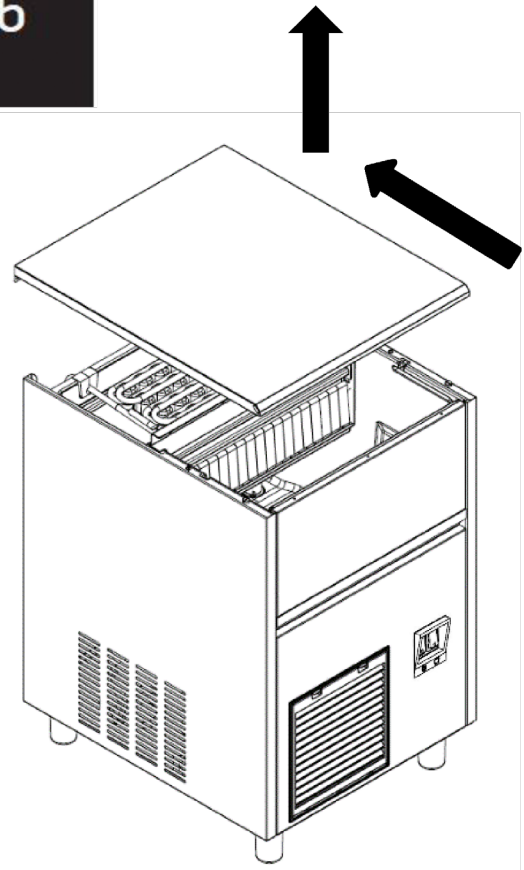


FIGURES

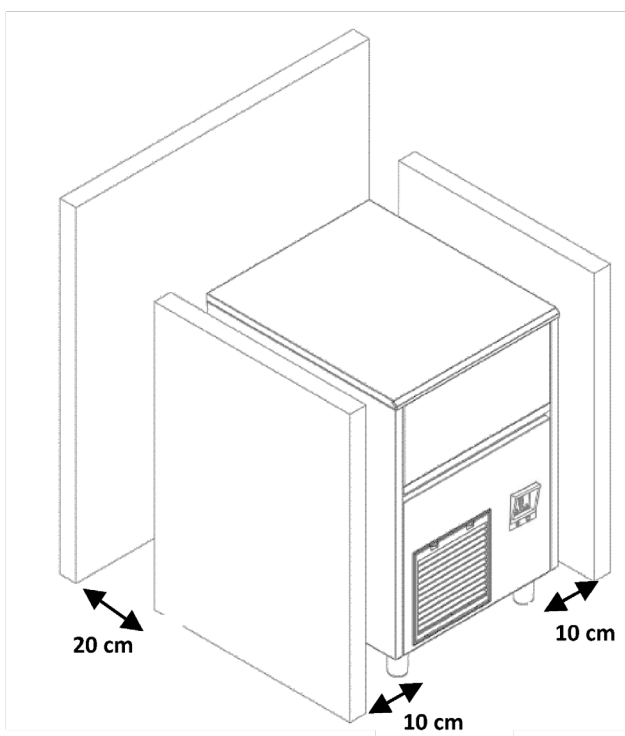
05



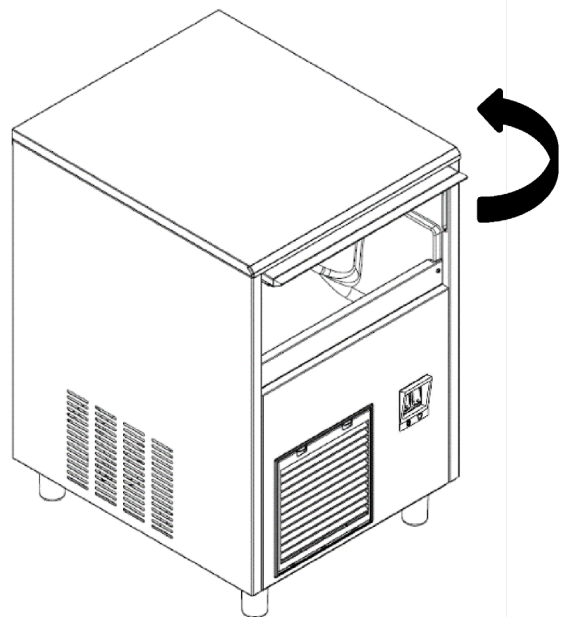
06



07



08



TEFCOLD®



VÝROBNÍK LEDU

Návod k použití



Modely:
TC-Range

Vážený zákazník/Vážená zákaznice,

výrobek ledu vždy nechte nainstalovat autorizovaným servisem.

Záruka vašeho výrobce může ztratit platnost v případě, že váš výrobek ledu byl nainstalován servisem třetí strany.

POZNÁMKA:

Tento Návod k použití byl vydán pro více modelů.

Některé funkce uvedené v tomto návodu (označené *) nemusí být dostupné s vaším výrobníkem.

„PŘEČTĚTE SI NÁVOD K POUŽITÍ PŘED SMONTOVÁNÍM NEBO POUŽÍVÁNÍM TOHOTO VÝROBKU LEDU“.

Tento výrobek byl vyroben v moderních zařízeních, šetrných k životnímu prostředí, bez poškozování prostředí kolem nás.

1.

Bezpečnostní varování	4
Všeobecný přehled a technické specifikace	5
Instalace výrobníku ledu.....	6
Instalace	7
Použití výrobníku ledu	8
Čištění a údržba vašeho výrobníku ledu	9
Informace o záruce.....	11
Obrázky/obrázky.....	12

BEZPEČNOSTNÍ VAROVÁNÍ

1. Výrobek zapojte vždy do uzemněné elektrické zásuvky.
2. Váš výrobek ledu byl navržen tak, aby fungoval při napětí uvedeném v Technické tabulce. Provoz výrobku při jiném napětí než určeném může způsobit jeho nefunkčnost nebo dokonce požár.
3. Neumísťujte výrobek ledu vedle žádného zdroje tepla.
4. Výrobek ledu umístěte na místo bez přítomnosti vlhkosti a s neomezenou cirkulací vzduchu v jeho okolí.
5. Po dokončení instalace výrobkem ledu nehýbejte a počkejte alespoň dvě hodiny před jeho uvedením do provozu.
6. Před prvním použitím se ujistěte, že jste důkladně vyčistili vnitřní povrch výrobku.
7. K provozu výrobku nepoužívejte rozdělovač ani prodlužovací kabely.
8. Chraňte napájecí kabel před horkými povrchy.
9. Nedovolte, aby váš výrobek ledu obsluhovaly neškolené osoby a/nebo děti mladší 8 let bez dozoru.
10. Čištění a údržbu výrobku by neměly provádět děti, pokud nejsou pod dozorem dospělé osoby.

POZNÁMKA



Tento výrobek nese klasifikační symboly (AEEE/WEEE), označující odpad z elektrických a elektronických zařízení. V souladu s touto skutečností musí uživatel dodržovat evropskou Směrnici č. 1/2003. 2002/96/ES o recyklaci za účelem minimalizace vlivu odpadu z produktu na životní prostředí. Likvidaci odpadu se doporučuje komunikovat s místními úřady.

Pozor! Obsahuje informace, potřebné k předcházení vážným nebezpečím, která mohou způsobit nefunkčnost výrobku, případně způsobit zranění nebo ztrátu života a majetku během doby používání daného výrobku.

Varování před úrazem elektrickým proudem.

Označuje vysvětlující a facilitační informace, související s používáním výrobku.

VŠEOBECNÝ PŘEHLED A TECHNICKÉ SPECIFIKACE



Malé odchylky v barvě a jiné variace jsou možné z důvodu odlišné vizualizace, zobrazovacích technologií nebo jiných technických příčin. Za tyto rozdíly a odchylky výrobce neručí. V důsledku typografických chyb, popisů výrobků nebo zjevných chyb na webové stránce není možné nárokovat si žádná práva.

* Nastavitelné nožičky se mohou lišit v závislosti na modelu produktu.

INSTALACE VÝROBNÍKU LEDU

Výběr místa pro váš výrobek

Váš výrobek by neměl být v přímém kontaktu s žádným zdrojem tepla, ani se nacházet v jeho blízkosti.

Pokud váš výrobek ledu umístíte vedle jiných elektrických zařízení (jako jsou trouby, počítače, atd.), které se považují za zdroje tepla, měli byste mezi nimi ponechat vzdálenost alespoň 10 cm.

Má-li být výrobek umístěn u stěny, vzdálenost mezi zadním povrchem výrobku a stěnou by neměla být menší než 20 cm (viz Obrázek 7).

Neumísťujte před ventilační filtr vašeho výrobku ledu předměty, které by mohly bránit cirkulaci vzduchu do vašeho výrobku.

Neumísťujte výrobek v exteriéru. Tento výrobek je navržen pro použití v interiéru

Elektrické připojení

Hodnoty napětí a frekvence hlavního napájecího zdroje musí být stejné, jako jsou uvedeny na štítku výrobku. Pokud máte pochybnosti nebo potřebujete pomoc, obraťte se na nejbližší autorizovaný servis, případně požádejte o pomoc kvalifikovaného elektrikáře.

Ujistěte se, že je elektrická zásuvka uzemněna.

Proudová síla jističe, do kterého bude výrobek zapojen, by měla být 10A**. (Viz část Technická tabulka / Vstupní pojistka.)

K provozu výrobku nepoužívejte rozdvojky s více zásuvkami nebo prodlužovací kabely.

Použití a připojení zdroje vody

Váš výrobek ledu byl navržen tak, aby vyráběl kostky ledu v nejideálnějším čase a velikosti. Je však důležité poznamenat, že existují elementy, které ovlivní kvalitu ledu vyrobeného zařízením, jakož i zdraví vnitřních komponentů výrobku ledu.

Přívod vody

Měl by být vhodný k lidské spotřebě, měl by mít optimální úroveň tvrdosti, měl by obsahovat minimální množství chlóru.

K dispozici pro váš výrobek jsou také optimální vodní filtry pro použití, které si můžete zakoupit v autorizovaném servisu.

Teplota vody by měla být od 10°C do 30°C

INSTALACE

Před instalací odstraňte a rozeberte všechny obalové materiály výrobku.

Mřížka na led, hydroizolační plasty a naběračka na led jsou součástí výrobku. Pokud některý díl nebo příslušenství chybí, kontaktujte naše servisní oddělení.

Před použitím výrobku ledu vyčistěte vnitřní skříňku teplou vodou a měkkým hadříkem. Vyčistěte zásobníky na led teplou mýdlovou vodou. Osušte měkkým bavlněným hadříkem. Po umístění výrobku ledu na místo instalace počkejte před jeho spuštěním asi 2 (dvě) hodiny, aby se stabilizoval tlak v chladicím systému. Nainstalujte díly do výrobku ledu v souladu s montážními pokyny.

Vstupní tlak studené vody nesmí překročit provozní tlak vody (5 barů), uvedený v technické dokumentaci. Pokud je tlak v potrubí vyšší než 5 barů, musí být nainstalován redukční ventil.

Připojte vaše zařízení k jednofázovému uzemněnému zdroji napájení se jmenovitým výkonem uvedeným na typovém štítku. Vaše zařízení bylo navrženo tak, aby fungovalo s $\pm 10\%$ hlavního napětí. Pokud tento rozsah nelze poskytnout ve vaší místní elektrické síti, doporučuje se použít regulátor napětí.

Pokud je třeba změnit lokalitu umístění vašeho výrobku ledu, ujistěte se, že přepravujete jednotku podle označení na originálním balení zařízení.

Ochraňte vaše zařízení před faktory, které mohou poškodit obal a zařízení samotné (vlhkost, voda, náraz, chemikálie, atd.).

Zařízení by měl rozebírat pouze autorizovaný servis. Nikdy nezasahujte do vnitřních částí a prvků výrobku ledu.

Zařízení musí uvést do provozu autorizovaný servis.

Nedodržení výše uvedených podmínek způsobí ztrátu záruky výrobku.

Nenechávejte obalové materiály (plastové sáčky, nylon, atd.) v dosahu dětí.

Výrobce si vyhrazuje právo na změnu informací v tomto návodu k použití. Proto tento návod nezavazuje ke specifikacím.

POUŽITÍ VÝROBNÍKU LEDU

Obsluha výrobniku ledu

Po instalaci vašeho výrobniku ledu postupujte podle výše uvedených pokynů a proveďte všechna potřebná připojení;

1. Ujistěte se, že elektrická zásuvka, kterou používáte pro váš výrobník ledu, je aktivní a pod napětím.
2. Zapněte přívod vody.
3. Nastavte tlačítko On-Off na přední straně vašeho výrobniku do polohy On.
(Když jej nastavíte do polohy On - Zapnuto, kontrolka napájení na tlačítku se rozsvítí.)
4. Výrobník automaticky přejde do režimu zpoždění po 5 minutách nečinnosti po zapnutí.
5. Na konci režimu zpoždění začne výrobník přijímat vodu a vyrábět led.
6. Váš výrobník dokončí cyklus výroby ledu po určité době v závislosti na teplotě okolí a vody.

POZNÁMKA

Aby váš výrobník mohl vyrábět led v optimální velikosti a čase, po instalaci musíte počkat alespoň 2 hodiny na zapnutí zařízení.
Vypnutí výrobniku ledu

Nastavte vypínač na přední straně výrobniku ledu do polohy „Off/Vyp“. Pokud nebudete výrobník ledu používat po delší dobu, odpojte jej. Vypněte přívod vody.

Pro červené světlo na tlačítku napájení produktu jsou definovány některé poruchové a varovné signály, jak je uvedeno v tabulce níže:

Funkční režim	Zap	Vyp
Čištění	3 vteřiny	1 vteřina
Chyba	2 vteřiny	2 vteřiny
Zásobník na led plný	1 vteřina	1 vteřina

ČIŠTĚNÍ A ÚDRŽBA VAŠEHO VÝROBNÍKU LEDU

Před čištěním výrobku ledu musíte dodržovat následující bezpečnostní pravidla:

1. Pokud není uvedeno jinak, před začátkem čištění výrobku ledu jednotku vypněte a odpojte ze sítě.
2. Vnější skříňka výrobku by se měla čistit pouze utíráním vlhkým hadříkem. Jednotku nepostříkujte vodou ani jiným čisticím prostředkem. Způsobíte tak nežádoucí elektrické poruchy a ohrozíte bezpečnost uživatele.
3. Při čištění vždy používejte ochranné rukavice a podobné ochranné prostředky.
4. Nikdy nepoužívejte čisticí prostředky a chemikálie, které mohou způsobit proříznutí, propíchnutí a korozi vašeho výrobku. Pokud k čištění použijete chemikálie, váš výrobek ledu ztratí možnost záruky.
5. Nepoužívejte žádné čisticí prostředky, které nedoporučuje váš autorizovaný servis.

Čištění exteriéru výrobku ledu

Exteriér vašeho výrobku ledu je vyroben z nerezavějící oceli. Vnější povrchy otřete vlhkým bavlněným hadříkem či houbou a poté je otřete suchým, čistým bavlněným hadříkem.

Čištění sprejovacího systému

1. Zkontrolujte, zda jsou vodovodní a elektrické přípojky výrobku vypnuty, v souladu s výše uvedenými pokyny pro čištění.
2. Vyjměte ze zásobníku veškerý led.
3. Hlavní vypínač by měl být vypnut a ventil přívodu vody by měl být otevřen.
4. Odstraňte posuvnou mřížku ve vnitřní nádržce a poté vyjměte plast pro vypouštění hladiny z otvoru, čímž zajistíte vypuštění vody. (Viz Obrázek 3)
5. Po vypuštění vody z nádržky umístěte plastovou část odtoku hladiny vody zpět do určeného otvoru. (Viz Obrázek 4)
6. Potom nalijte čisticí roztok doporučený autorizovaným servisem do vodní nádržky.
7. Vyberte nastavení „čištění“ na vašem výrobku a pak přepněte hlavní vypínač do polohy „On/Zap“. DO 30 SEKUND PO ZAPNUTÍ MUSÍTE STISKNOUT A PODRŽET TLAČÍTKO „CLEANING/ČIŠTĚNÍ“ PO DOBU 9 SEKUND. (Viz Obrázek 5)
8. Proces čištění bude pokračovat po dobu 10 minut.
9. Na konci čisticího cyklu vyjměte veškerý vytvořený led ze zásobníku.

Během čištění výrobků nevypínejte.

Po procesu čištění vypusťte vodu do vnitřní nádoby. (Viz Obrázek 3)

Ihned po tomto čištění je třeba vyčistit i sadu na led.

Čištění sady na led

Chcete-li sejmout horní kryt, odšroubujte šrouby, jak je uvedeno na „Obrázku 6“. Odstraňte plastový kryt na chladicích trubkách. Vyčistěte chladicí trubky a viditelné plochy v nádrži čistícím roztokem / mýdlovou vodou navlhčeným hadříkem. Potom opláchněte a následně vysušte. Zavřete plastový kryt, který chrání potrubí chladicího systému a poté zavřete horní kryt produktu. Následně vyměňte šrouby.

Čištění zásobníku na led

1. Chcete-li vyčistit zásobník na led, nejprve otočte vypínač do polohy „Off/Vypnuto“.
Potom odpojte zařízení od zdroje hlavního napájení.
2. Odstraňte veškerý led ze zásobníku na led.
3. Otřete vnitřek nádoby na led čistícím roztokem / mýdlovým hadříkem a poté opláchněte / osušte.
4. Dávejte pozor, aby na něm nezůstaly žádné zbytky vodního kamene a/nebo čistícího roztoku.

Čištění filtru na přívodu vody

1. Odpojte výrobek ledu od hlavního napájení.
2. Odpojte přípojku vody od vašeho výrobku ledu.
3. Vyjměte filtr přívodu vody. (Frekvence výměny kazet se liší v závislosti na době používání, ale doporučuje se měnit každých 6 měsíců.)
4. Při čištění a údržbě filtru na přívodu vody postupujte podle pokynů / doporučení výrobce filtru, určených k údržbě a čištění.

Potom vraťte výrobek ledu do provozu podle pokynů k instalaci.

Činnosti, uvedené v pokynech k čištění produktu, by se měly provádět nejméně 4-5 krát ročně.

INFORMACE O ZÁRUCE

Tato záruka poskytovaná naší společností se nevztahuje na opravu závad způsobených neobvyklým používáním výrobku ledu a ze záruky jsou vyloučeny následující položky.

Poruchy a škody způsobené obsluhou během používání.

Poruchy a poškození, které se vyskytly při přepravě nebo při nakládce či vykládce a při dodání konečnému uživateli.

Poruchy a poškození, které vznikly v důsledku nízkého nebo vysokého napětí, používání v rozporu s napětím uvedeným na štítku výrobku a elektrické instalace.

Poruchy a poškození, které se vyskytly po jakémkoli požáru nebo blesku během používání.,

Poruchy vyplývající z používání výrobku v rozporu s upozorněními a metodami uvedenými v Návodu k použití.

Oprava výše uvedených poruch není zahrnuta v rámci záruky, oprava bude zpoplatněna.

Doprava na místo použití a montáž výrobku jsou vyloučeny z ceny výrobku.

Odpovědnost za potvrzení a předání záručního listu spotřebiteli má prodávající, přímý prodejce, agentura nebo zastoupení, od kterého spotřebitel zboží zakoupil.

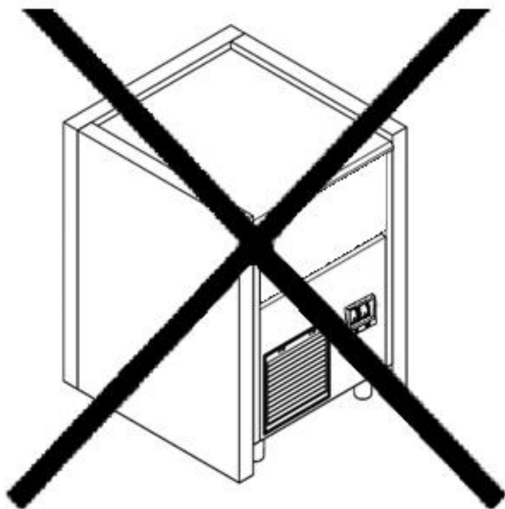
Záruka platí po dobu uvedenou v záručním listě a jen na závady, které se vyskytly na výrobku; nebudou se uplatňovat žádné další nároky na vrácení peněz, opravu nebo výměnu. V případě, že bude jakékoli zničení/padělání původního sériového čísla zaznamenáno v záručním listu a bude identifikováno, výrobek bude postaven mimo záruku. Pokud jde o opravy v rámci záruky, autorizované jsou pouze služby uvedené v záručním listu nebo na naší webové stránce.

Přítomnost částic ve vodě v důsledku kvality přiváděné vody a/nebo kontaminace nečistotami, zbytky po instalaci, usazeniny, struska, atp. nepříznivě ovlivní činnost výrobku ledu.

Taková kontaminace může způsobit nedostatečně efektivní provoz, chybějící tvorbu ledu, hlasité zvuky, atd.

Na problémy s výrobníkem v důsledku zanesení vodovodních potrubí a/nebo vápenaté vody se záruka nevztahuje.

UMÍSTĚNÍ



Umístění: Výrobník ledu musí být umístěn v místnosti s regulovanou teplotou.

Provoz výrobku ledu v exteriéru nebo v lokalitě, kde může teplota překročit pracovní limity, může poškodit výrobek a vaše záruka může pozbyť platnosti.

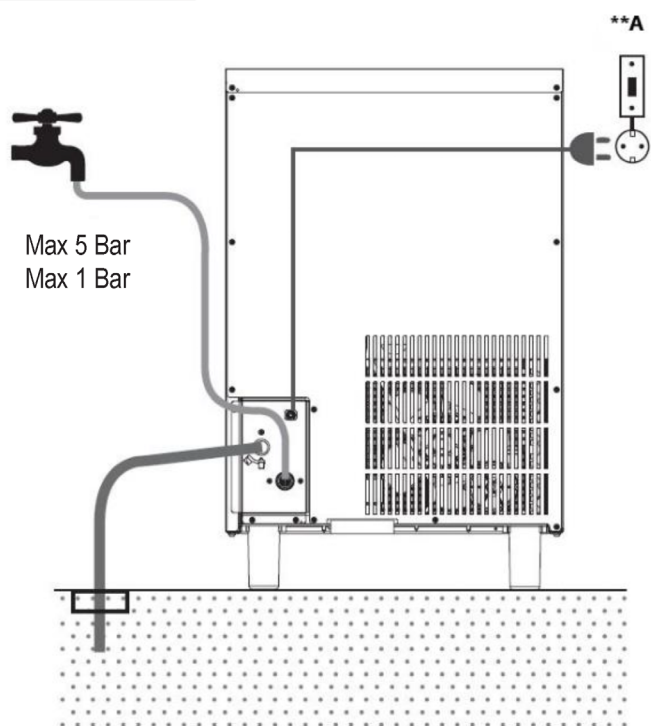
Výrobky ledu jsou navrženy a vyrobeny s nejvyšším ohledem na bezpečnost.



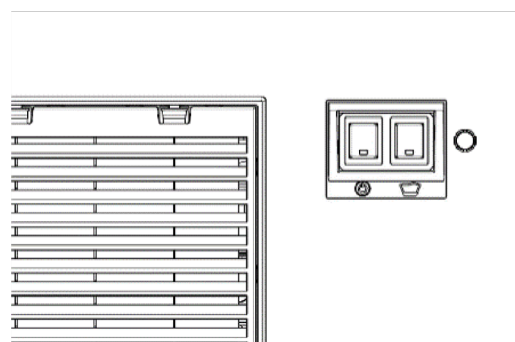
Umístění: Pokud je jednotka umístěna v prostoru bez boční ventilace, výrobek ledu nebude fungovat správně. Pokud ponecháte kolem jednotky dostatek prostoru, jednotka bude fungovat správně.

Normální kapacita výroby ledu přímo souvisí s deltou teploty vzduchu kondenzátoru, teplotou vody, stavem vzduchového kanálu kondenzátoru a víkem zařízení.

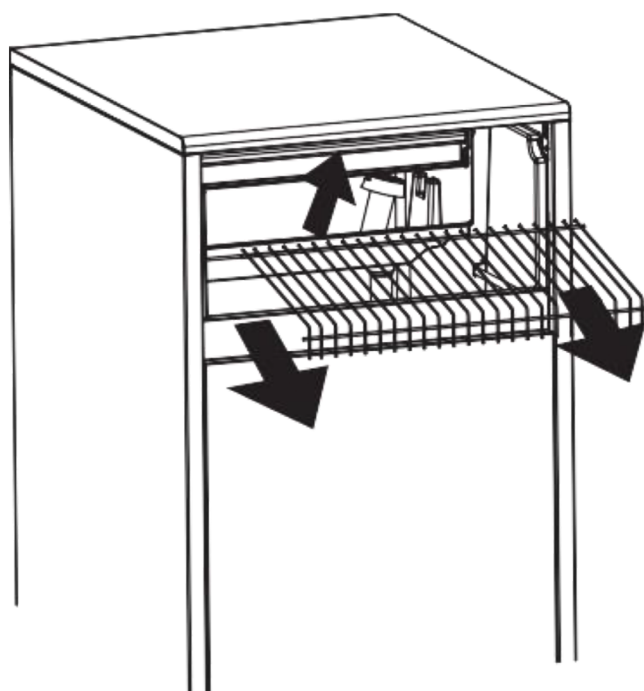
01



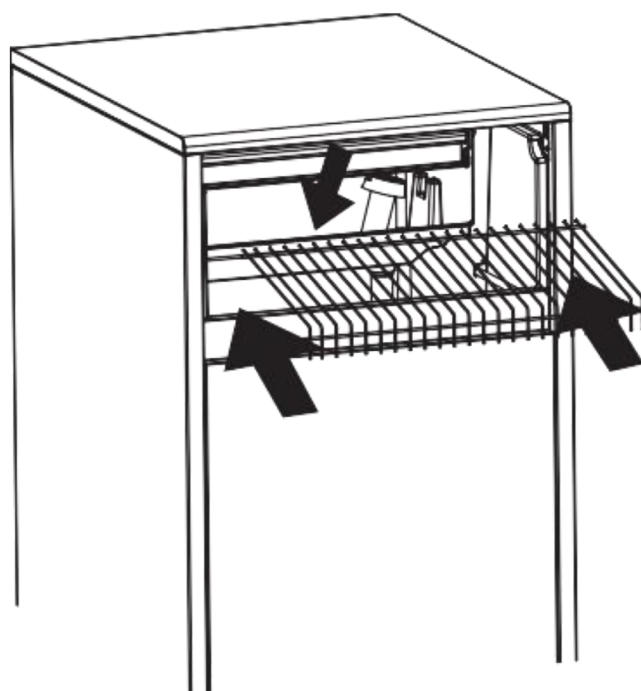
02



03

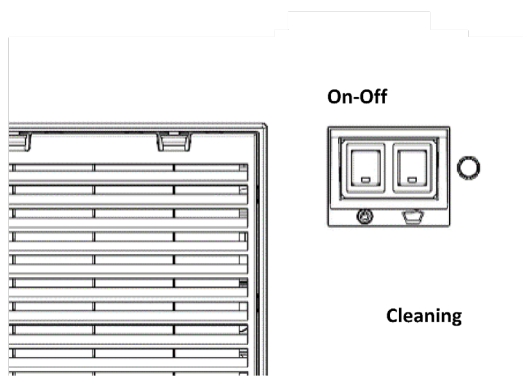


04

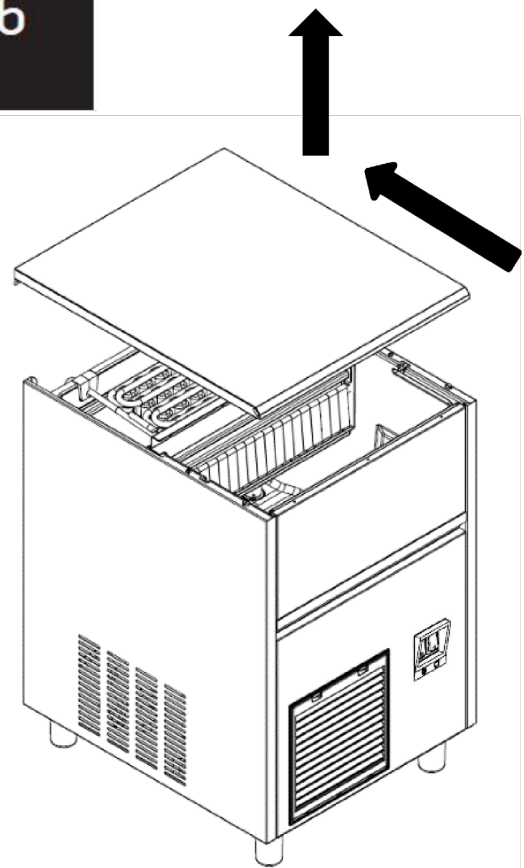


OBRÁZKY

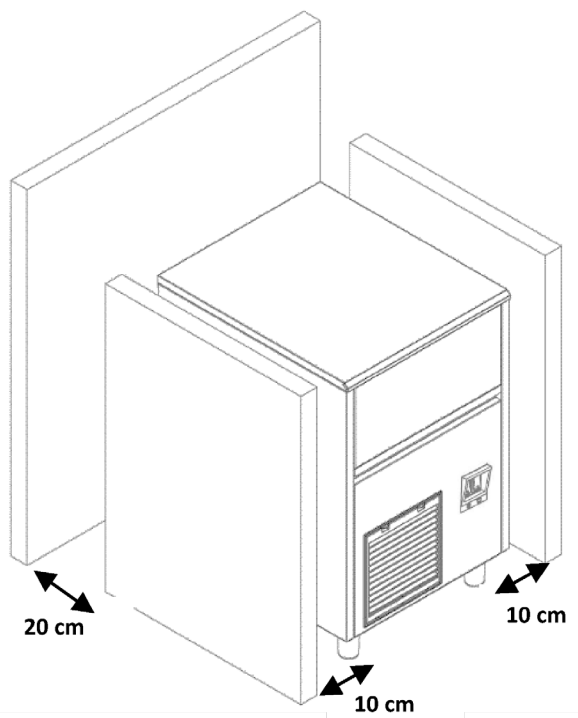
05



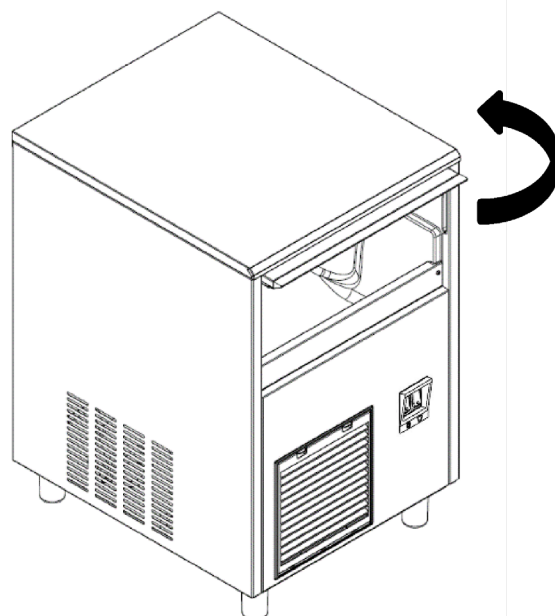
06



07



08



TEFCOLD®



VÝROBNÍK L'ADU

Návod na použitie



Modely:
TC-Range

Vážený zákazník/Vážená zákazníčka,

výrobník ľadu vždy nechajte nainštalovať autorizovaným servisom.
Záruka vášho výrobcu môže stratiť platnosť v prípade, že váš výrobnik ľadu bol nainštalovaný
servisom tretej strany.

POZNÁMKA:

Tento Návod na použitie bol vydaný pre viacero modelov.
Niektoré funkcie uvedené v tomto návode (označené *) nemusia byť dostupné s vaším
výrobkom.

**„PREČÍTAJTE SI NÁVOD NA POUŽITIE PRED ZMONTOVANÍM ALEBO POUŽÍVANÍM
TOHTO VÝROBNÍKA ĽADU“.**

Tento výrobok bol vyrobený v moderných zariadeniach, šetrných k životnému prostrediu, bez
poškodzovania prostredia okolo nás.

1.

Bezpečnostné varovania	4
Všeobecný prehľad a technické špecifikácie.....	5
Inštalácia vášho výrobníka ľadu	6
Inštalácia	7
Používanie výrobníka ľadu	8
Čistenie a údržba.....	9
Informácie o záruke	11
Obrázky/obrázky.....	12

BEZPEČNOSTNÉ VAROVANIA

1. Výrobok zapojte vždy do uzemnenej elektrickej zásuvky.
2. Váš výrobok ľadu bol navrhnutý tak, aby fungoval pri napätí uvedenom v Technickej tabuľke. Prevádzka výrobníka pri inom napätí ako určenom môže spôsobiť jeho nefunkčnosť alebo dokonca požiar.
3. Neumiestňujte výrobok ľadu vedľa žiadneho zdroja tepla.
4. Výrobok ľadu umiestnite na miesto bez prítomnosti vlhkosti a s neobmedzenou cirkuláciou vzduchu v jeho okolí.
5. Po dokončení inštalácie výrobníkom ľadu nehýbte a počkajte aspoň dve hodiny pred jeho uvedením do prevádzky.
6. Pred prvým použitím sa uistite, že ste dôkladne vyčistili vnútorný povrch výrobníka.
7. Na prevádzku výrobníka nepoužívajte rozdeľovacie ani predlžovacie káble.
8. Chráňte napájací kábel pred horúcimi povrchmi.
9. Nedovoľte, aby váš výrobok ľadu obsluhovali neškolené osoby a/alebo deti mladšie ako 8 rokov bez dozoru.
10. Čistenie a údržbu výrobníka by nemali vykonávať deti, pokiaľ nie sú pod dozorom dospelých osoby.

POZNÁMKA



Tento výrobok nesie klasifikačné symboly (AEEE/WEEE), označujúce odpad z elektrických a elektronických zariadení. V súlade s touto skutočnosťou musí používateľ dodržiavať európsku Smernicu č. 2002/96/ES o recyklácii za účelom minimalizácie vplyvu odpadu z produktu na životné prostredie. Likvidáciu odpadu sa odporúča komunikovať s miestnymi úradmi.

Pozor! Obsahuje informácie, potrebné na predchádzanie vážnym nebezpečenstvám, ktoré môžu spôsobiť nefunkčnosť výrobku, prípadne spôsobiť zranenie alebo stratu života a majetku počas doby používania daného výrobku.

Varovanie pred úrazom elektrickým prúdom.

Označuje vysvetľujúce a facilitáčne informácie, súvisiace s používaním výrobku.

VŠEOBECNÝ PREHĽAD A TECHNICKÉ ŠPECIFIKÁCIE



Malé odchýlky vo farbe a iné variácie sú možné z dôvodu odlišnej vizualizácie, zobrazovacích technológií alebo iných technických príčin. Za tieto rozdiely a odchýlky výrobca neručí. V dôsledku typografických chýb, popisov výrobkov alebo zjavných chýb na webovej stránke nie je možné nárokovať si žiadne práva.

* Nastaviteľné nožičky sa môžu líšiť v závislosti od modelu produktu.

INŠTALÁCIA VÝROBNÍKA ĽADU

Výber miesta pre váš výrobnik

Váš výrobnik by nemal byť v priamom kontakte so žiadnym zdrojom tepla, ani sa nachádzať v jeho blízkosti.

Ak váš výrobnik ľadu umiestnite vedľa iných elektrických zariadení (ako sú rúry, počítače, atď.), ktoré sa považujú za zdroje tepla, mali by ste medzi nimi ponechať vzdialenosť aspoň 10 cm.

Ak má byť výrobnik umiestnený pri stene, vzdialenosť medzi zadným povrchom výrobníka a stenou by nemala byť menšia ako 20 cm (pozri Obrázok 7).

Neumiestňujte pred ventilačný filter vášho výrobníka ľadu predmety, ktoré by mohli brániť cirkulácii vzduchu do vášho výrobníka.

Neumiestňujte výrobnik v exteriéri. Tento výrobnik je navrhnutý na použitie v interiéri.

Elektrické pripojenie

Hodnoty napätia a frekvencie hlavného napájacieho zdroja musia byť rovnaké, ako sú uvedené na štítku výrobníka. Ak máte pochybnosti alebo potrebujete pomoc, obráťte sa na najbližší autorizovaný servis, prípadne požiadajte o pomoc kvalifikovaného elektrikára.

Uistite sa, že vaša elektrická zásuvka je uzemnená.

Prúdová sila ističa, do ktorého bude výrobok zapojený, by mala byť 10A**. (Pozrite si časť Technická tabuľka / Vstupná poistka.)

Na prevádzku výrobníka nepoužívajte rozdvojky s viacerými zásuvkami alebo predlžovacie káble.

Použitie a pripojenie zdroja vody

Váš výrobnik ľadu bol navrhnutý tak, aby vyrábala kocky ľadu v najideálnejšom čase a veľkosti. Je však dôležité poznamenať, že existujú elementy, ktoré ovplyvnia kvalitu ľadu vyrobeného zariadením, ako aj zdravie vnútorných komponentov výrobníka ľadu.

Prívod vody

Mal by byť vhodný na ľudskú spotrebu, mal by mať optimálnu úroveň tvrdosti, mal by obsahovať minimálne množstvo chlóru.

K dispozícii pre váš výrobok sú optimálne vodné filtre na použitie, ktoré si môžete zakúpiť v autorizovanom servise.

Teplota vody by mala byť od 10°C do 30°C

INŠTALÁCIA

Inštalácia

Pred inštaláciou odstráňte a rozoberte všetky obalové materiály výrobku.

Mriežka na ľad, hydroizolačné plasty a naberačka na ľad sú súčasťou výrobku. Ak niektorý diel alebo príslušenstvo chýba, kontaktujte naše servisné oddelenie.

Pred použitím výrobníka ľadu vyčistite vnútornú skrinku teplou vodou a mäkkou handričkou. Vyčistite zásobníky na ľad teplou mydlovou vodou. Osušte mäkkou bavlnenou handričkou. Po umiestnení výrobníka ľadu na miesto inštalácie počkajte pred jeho spustením asi 2 (dve) hodiny, aby sa stabilizoval tlak v chladiacom systéme. Nainštalujte diely do výrobníka ľadu v súlade s montážnymi pokynmi.

Vstupný tlak studenej vody nesmie prekročiť prevádzkový tlak vody (5 barov), uvedený v technickej dokumentácii. Ak je tlak v potrubí vyšší ako 5 barov, musí byť nainštalovaný redukčný ventil.

Pripojte vaše zariadenie k jednofázovému uzemnenému zdroju napájania s menovitým výkonom uvedeným na typovom štítku. Vaše zariadenie bolo navrhnuté tak, aby fungovalo s $\pm 10\%$ hlavného napätia. Ak tento rozsah nie je možné poskytnúť vo vašej miestnej elektrickej sieti, odporúča sa použiť regulátor napätia.

Ak je potrebné zmeniť lokalitu umiestnenia vášho výrobníka ľadu, uistite sa, že prepravujete jednotku podľa označení na originálnom balení zariadenia.

Ochráňte vaše zariadenie pred faktormi, ktoré môžu poškodiť obal a zariadenie samotné (vlhkosť, voda, náraz, chemikálie, atď.).

Zariadenie by mal rozoberať iba autorizovaný servis. Nikdy nezasahujte do vnútorných častí a prvkov výrobníka ľadu.

Zariadenie musí uviesť do prevádzky autorizovaný servis.

Nedodržanie vyššie uvedených podmienok spôsobí stratu záruky výrobku.

Nenechávajte obalové materiály (plastové vrecká, nylon, atď.) v dosahu detí.

Výrobca si vyhradzuje právo na zmenu informácií v tomto návode na použitie. Preto tento návod nezaväzuje k špecifikáciám.

POUŽÍVANIE VÝROBNÍKA ĽADU

Obsluha výrobníka ľadu

Po inštalácii vášho výrobníka ľadu postupujte podľa vyššie uvedených pokynov a vykonajte všetky potrebné pripojenia;

1. Uistite sa, že elektrická zásuvka, ktorú používate pre váš výrobnik ľadu, je aktívna a pod napätím.
2. Zapnite prívod vody.
3. Nastavte tlačidlo On-Off na prednej strane vášho výrobníka do polohy On.
(Keď ho nastavíte do polohy On - Zapnuté, kontrolka napájania na tlačidle sa rozsvieti.)
4. Výrobnik automaticky prejde do režimu oneskorenia po 5 minútach nečinnosti po zapnutí.
5. Na konci režimu oneskorenia začne výrobnik prijímať vodu a vyrábať ľad.
6. Váš výrobnik dokončí cyklus výroby ľadu po určitom čase v závislosti od teploty okolia a vody

POZNÁMKA

Aby váš výrobnik mohol vyrábať ľad v optimálnej veľkosti a čase, po inštalácii musíte počkať aspoň 2 hodiny na zapnutie zariadenia.

Vypnutie výrobníka ľadu

Nastavte vypínač na prednej strane výrobníka ľadu do polohy „Off /Vyp“. Ak nebudete výrobnik ľadu používať po dlhšiu dobu, odpojte ho. Vypnite prívod vody.

Pre červené svetlo na tlačidle napájania produktu sú definované niektoré poruchové a varovné signály, ako je uvedené v tabuľke nižšie:

:

Funkčný režim	Zap	Vyp
Čistenie	3 sekundy	1 sekunda
Chyba	2 sekundy	2 sekundy
Zásobník na ľad plný	1 sekunda	1 sekunda

ČISTENIE A ÚDRŽBA VÁŠHO VÝROBNÍKA ĽADU

Pred čistením výrobníka ľadu musíte dodržiavať nasledujúce bezpečnostné pravidlá:

1. Pokiaľ nie je uvedené inak, pred začiatkom čistenia výrobníka ľadu jednotku vypnite a odpojte zo siete.
2. Vonkajšia skrinka výrobníka by sa mala čistiť iba utieraním vlhkou handričkou. Jednotku nestriekajte vodou, ani iným čistiacim prostriedkom. Spôsobíte tak nežiaduce elektrické poruchy a ohrozíte bezpečnosť používateľa.
3. Pri čistení vždy používajte ochranné rukavice a podobné ochranné prostriedky.
4. Nikdy nepoužívajte čistiace prostriedky a chemikálie, ktoré môžu spôsobiť prerezanie, prepichnutie a koróziu vášho výrobku. Ak na čistenie použijete chemikálie, váš výrobník ľadu stratí možnosť záruky.
5. Nepoužívajte žiadne čistiace prostriedky, ktoré neodporúča váš autorizovaný servis.

Čistenie exteriéru výrobníka ľadu

Exteriér vášho výrobníka ľadu je vyrobený z nehrdzavejúcej ocele. Vonkajšie povrchy utrite vlhkou bavlnenou handričkou či špongiou a potom ich utrite suchou, čistou bavlnenou handričkou.

Čistenie sprejovacieho systému

1. Skontrolujte, či sú vodovodné a elektrické prípojky výrobku vypnuté, v súlade s vyššie uvedenými pokynmi na čistenie.
2. Vyberte zo zásobníka všetok ľad.
3. Hlavný vypínač by mal byť vypnutý a ventil prívodu vody by mal byť otvorený.
4. Odstráňte posuvnú mriežku vo vnútornej nádržke a potom vyberte plast na vypúšťanie hladiny z otvoru, čím zabezpečíte vypustenie vody. (Pozri Obrázok 3)
5. Po vypustení vody z nádržky umiestnite plastovú časť odtoku hladiny vody späť do určeného otvoru. (Pozri Obrázok 4)
6. Potom nalejte čistiaci roztok odporúčaný autorizovaným servisom do vodnej nádržky.
7. Vyberte nastavenie „čistenie“ na vašom výrobníku a potom prepnite hlavný vypínač do polohy „On/Zap“. DO 30 SEKÚND PO ZAPNUTÍ MUSÍTE STLAČIŤ A PODRŽAŤ TLAČIDLO „CLEANING/ČISTENIE“ PO DOBU 9 SEKÚND. (Pozri Obrázok 5)
8. Proces čistenia bude pokračovať po dobu 10 minút.
9. Na konci čistiaceho cyklu vyberte všetok vytvorený ľad zo zásobníka.

Počas čistenia výrobnik nevypínajte.

Po procese čistenia vypustite vodu do vnútornej nádoby. (Pozri Obrázok 3)

Hneď po tomto čistení je potrebné vyčistiť aj súpravu na ľad.

Čistenie súpravy na ľad

Ak chcete odstrániť horný kryt, odskrutkujte skrutky, ako je uvedené na „Obrázku 6“. Odstráňte plastový kryt na chladiacich rúrkach. Vyčistite chladiace rúrky a viditeľné plochy v nádrži čistiacim roztokom / mydlovou vodou navlhčenou handričkou. Potom opláchnite a následne vysušte. Zatvorte plastový kryt, ktorý chráni potrubie chladiaceho systému a potom zatvorte horný kryt produktu. Následne vymeňte skrutky.

Čistenie zásobníka na ľad

1. Ak chcete vyčistiť zásobník na ľad, najskôr otočte vypínač do polohy „Off/Vypnuté“. Potom odpojte zariadenie od zdroja hlavného napájania.
2. Odstráňte všetok ľad zo zásobníka na ľad.
3. Utrite vnútro nádoby na ľad čistiacim roztokom / mydlovou handričkou a potom opláchnite / osušte.
4. Dávajte pozor, aby na ňom nezostali žiadne zvyšky vodného kameňa a/alebo čistiaceho roztoku.

Čistenie filtra na prívode vody

1. Odpojte výrobnik ľadu od hlavného napájania.
2. Odpojte prípojku vody od vášho výrobníka ľadu.
3. Vyberte filter prívodu vody. (Frekvencia výmeny kaziet sa líši v závislosti od doby používania, ale odporúča sa meniť každých 6 mesiacov.)
4. Pri čistení a údržbe filtra na prívode vody postupujte podľa pokynov / odporúčaní výrobcu filtra, určených na údržbu a čistenie.

Potom vráťte výrobnik ľadu do prevádzky podľa pokynov na inštaláciu.

Činnosti, uvedené v pokynoch na čistenie produktu, by sa mali vykonávať najmenej 4-5 krát ročne.

ROZSAH ZÁRUKY

Vážený zákazník/Vážená zákazníčka,

táto záruka poskytovaná našou spoločnosťou sa nevzťahuje na opravu závad spôsobených neobvyklým používaním výrobníka ľadu a zo záruky sú vylúčené nasledujúce položky.

Poruchy a škody spôsobené obsluhou počas používania.

Poruchy a poškodenia, ktoré sa vyskytli pri preprave alebo pri nakládke či vykládke a pri dodaní konečnému užívateľovi.

Poruchy a poškodenia, ktoré vznikli v dôsledku nízkeho alebo vysokého napätia, používania v rozpore s napätím uvedeným na štítku výrobku a elektrickej inštalácie.

Poruchy a poškodenia, ktoré sa vyskytli po akomkoľvek požiari alebo blesku počas používania.

Poruchy vyplývajúce z používania výrobku v rozpore s upozorneniami a metódami uvedenými v Návode na použitie,

Oprava vyššie uvedených porúch nie je zahrnutá v rámci záruky, oprava bude spoplatnená.

Doprava na miesto použitia a montáž výrobku sú vylúčené z ceny výrobku.

Zodpovednosť za potvrdenie a odovzdanie záručného listu spotrebiteľovi má predávajúci, priamy predajca, agentúra alebo zastúpenie, od ktorého spotrebiteľ tovar zakúpil.

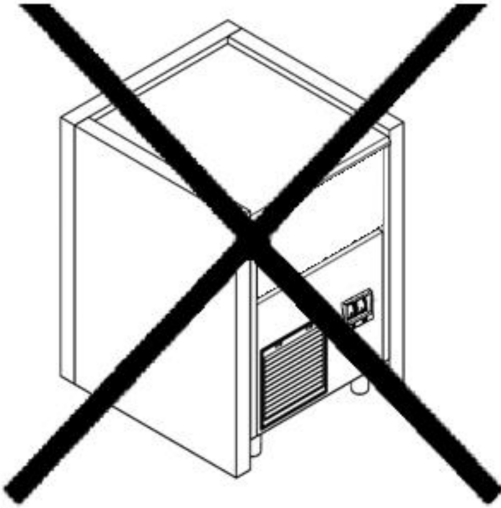
Záruka platí po dobu uvedenú v záručnom liste a len na poruchy, ktoré sa vyskytli na výrobku; nebudú sa uplatňovať žiadne ďalšie nároky na vrátenie peňazí, opravu alebo výmenu. V prípade, že bude akékoľvek zničenie/falšovanie pôvodného sériového čísla zaznamenané v záručnom liste a bude identifikované, výrobok bude postavený mimo záruky. Ak ide o opravy v rámci záruky, autorizované sú len služby uvedené v záručnom liste alebo na našej webovej stránke.

Prítomnosť častíc vo vode v dôsledku kvality privádzanej vody a/alebo kontaminácie nečistotami, zvyšky po inštalácii, usadeniny, troska, atď. nepriaznivo ovplyvní činnosť výrobníka ľadu.

Takáto kontaminácia môže spôsobiť nedostatočne efektívnu prevádzku, chýbajúcu tvorbu ľadu, hlasné zvuky, atď.

Na problémy s výrobníkom v dôsledku zanesenia vodovodných potrubí a/alebo vápenatej vody sa záruka nevzťahuje.

UMIESTNENIE



Umiestnenie: Výrobník ľadu musí byť umiestnený v miestnosti s regulovanou teplotou.

Prevádzka výrobníka ľadu v exteriéri alebo v lokalite, kde môže teplota prekročiť pracovné limity, môže poškodiť výrobník a vaša záruka môže stratiť platnosť.

Výrobníky ľadu sú navrhnuté a vyrobené s najvyšším ohľadom na bezpečnosť.

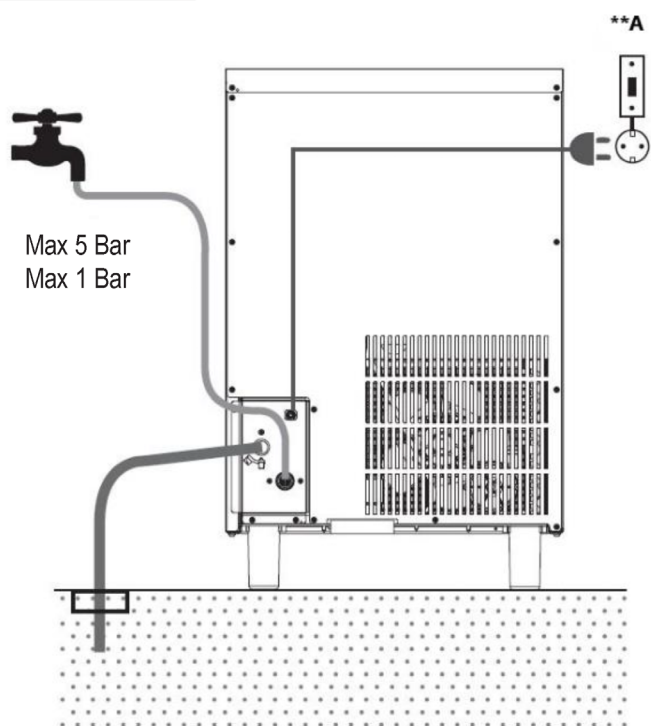


Umiestnenie: Ak je jednotka umiestnená v priestore bez bočnej ventilácie, výrobník ľadu nebude fungovať správne.

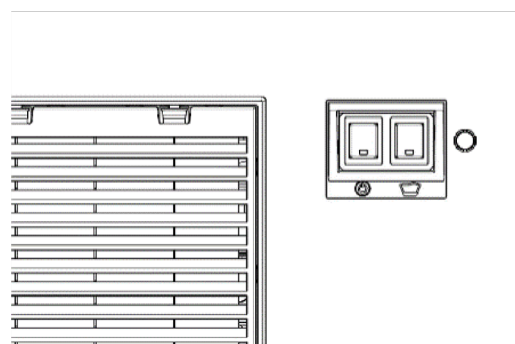
Ak ponecháte okolo jednotky dostatok priestoru, jednotka bude fungovať správne.

Normálna kapacita výroby ľadu priamo súvisí s deltu teploty vzduchu kondenzátora, teplotou vody, stavom vzduchového kanála kondenzátora a vekom zariadenia.

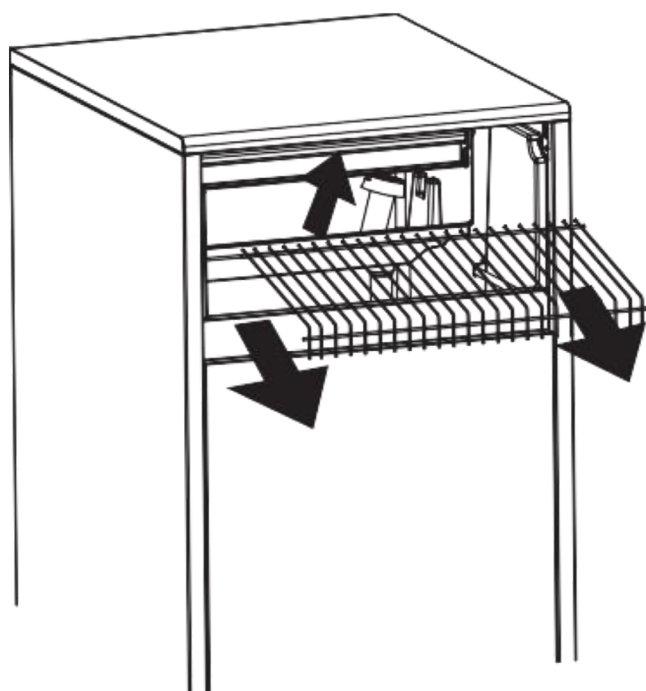
01



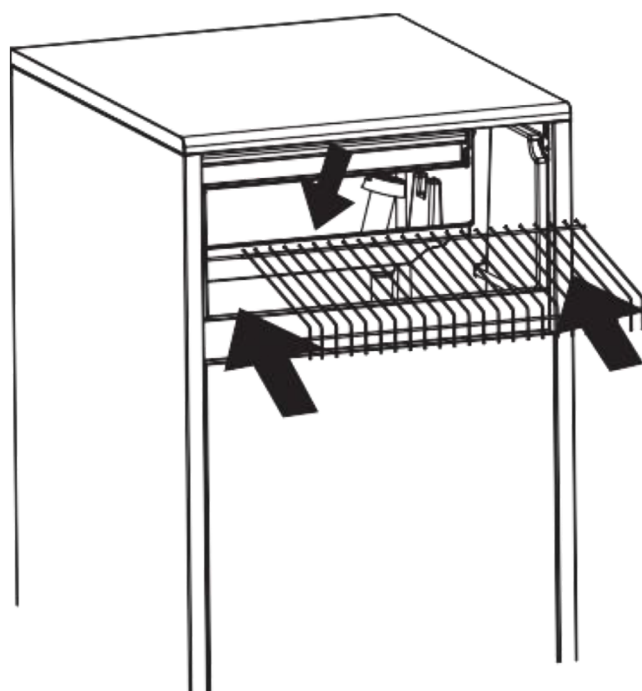
02



03

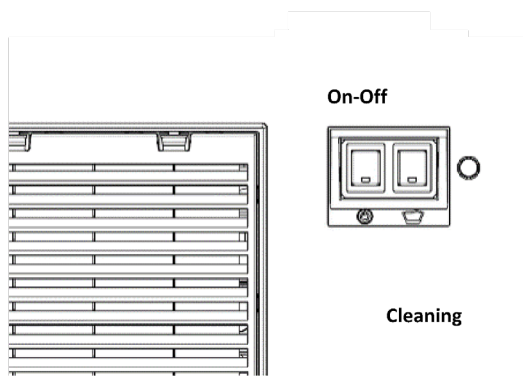


04

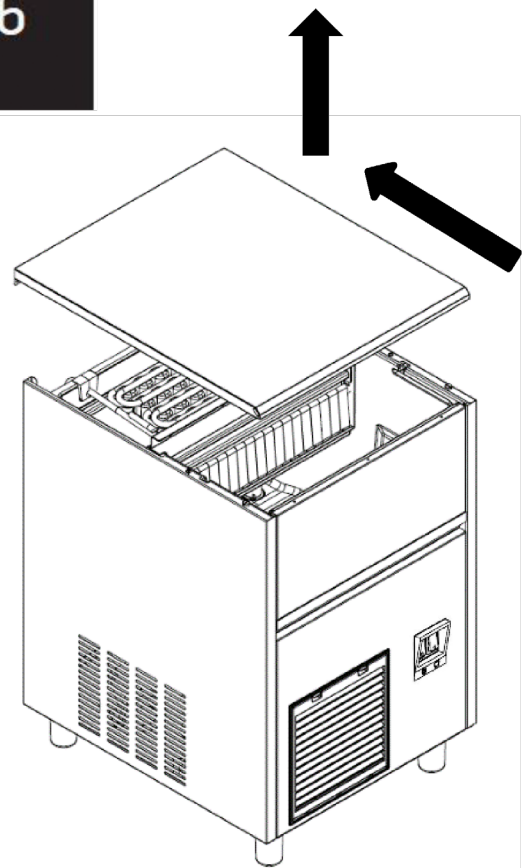


OBRÁZKY

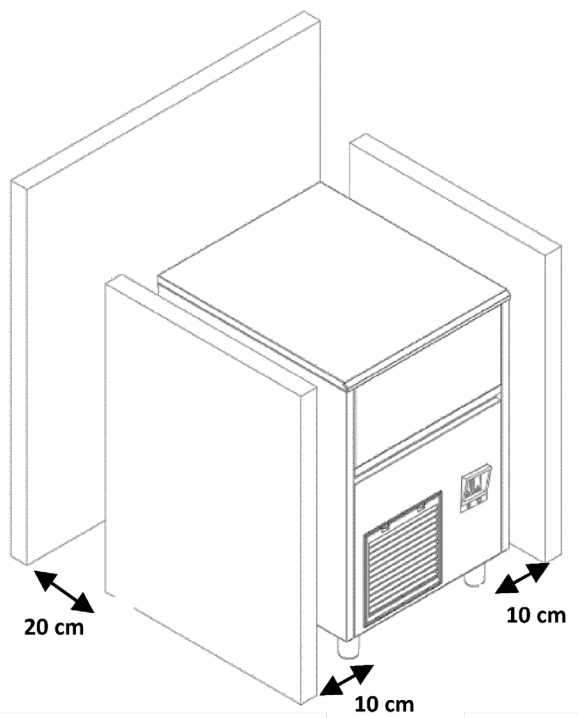
05



06



07



08

