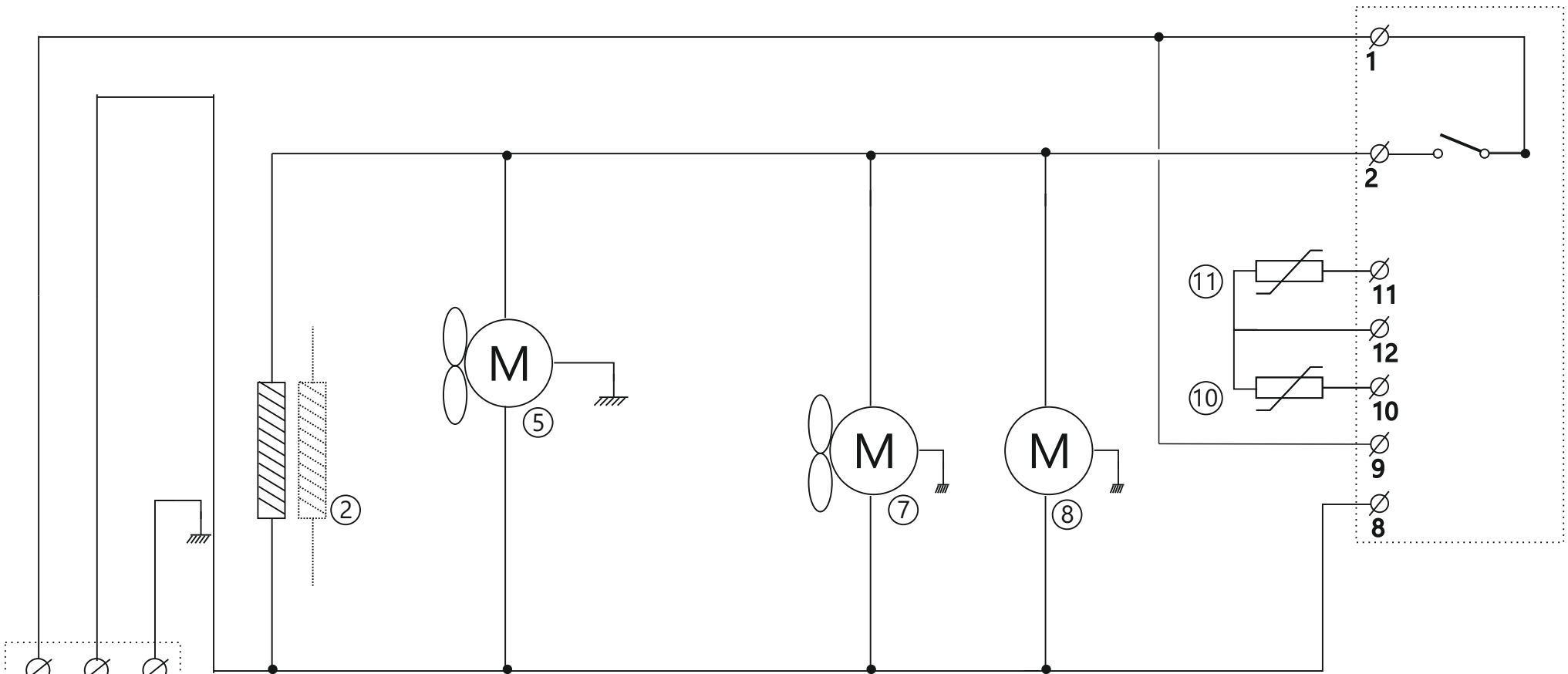


XW20LRH



② Door frame heater (Replacement in cabinet)

⑤ Evaporator fan

⑦ Condenser fan

⑧ Compressor

⑩ Evaporator probe

⑪ Cabinet probe