

TEFCOLD®



GALAXY PLUS SLIM FREEZERPLUG-IN

Installation and User Manual

CONTENT

1. Images	3
1.1 Installation Technical Drawing	3
1.2 Transportation.....	4
1.3 Product Serial ID Plate.....	4
1.4 Installation and Environmental Factors.....	4
1.5 MULTIPLEXING	4
2. IMAGES	6
2.1 MULTIPLEXING	6
2.2 FOOTPRINTS	8
3. REFRIGERATION DIAGRAMS	9
4. Electrical Wiring Diagram	14
5. INSTALLATION	14
5.1 ASSEMBLY.....	14
5.2 POWER	14
6. OPERATION	15
6.1 SWITCHING ON.....	15
6.2 CASE INSPECTION	15
6.3 MERCHANDISING	15
7. CLEANING AND GENERAL MAINTENANCE	16
7.1 GENERAL.....	16
7.2 EXTERIOR / INTERNAL SURFACES, SHELVES AND AIR GRILLES	16
7.3 GLASS AND MIRROR	16
7.4 CASE WELL.....	16
8. CLEANING	16
8.1 FAN DECK.....	16
8.2 AIR COOLED CONDENSER AND COOLING FINS (P&P).....	17
8.3 CONDENSATE TRAY (P&P)	17
8.4 WATER OUTLETS.....	17
8.5 LIGHTING	17

9. DEFROST 18

10. SERVICE REQUEST AND SAFETY 18

10.1 SERVICE SAFETY CHECKS18

10.2 Disposal of Appliances Containing Flammable Refrigerants18

10.3 ADDITIONAL WARNINGS19

11. COSMETIC 20

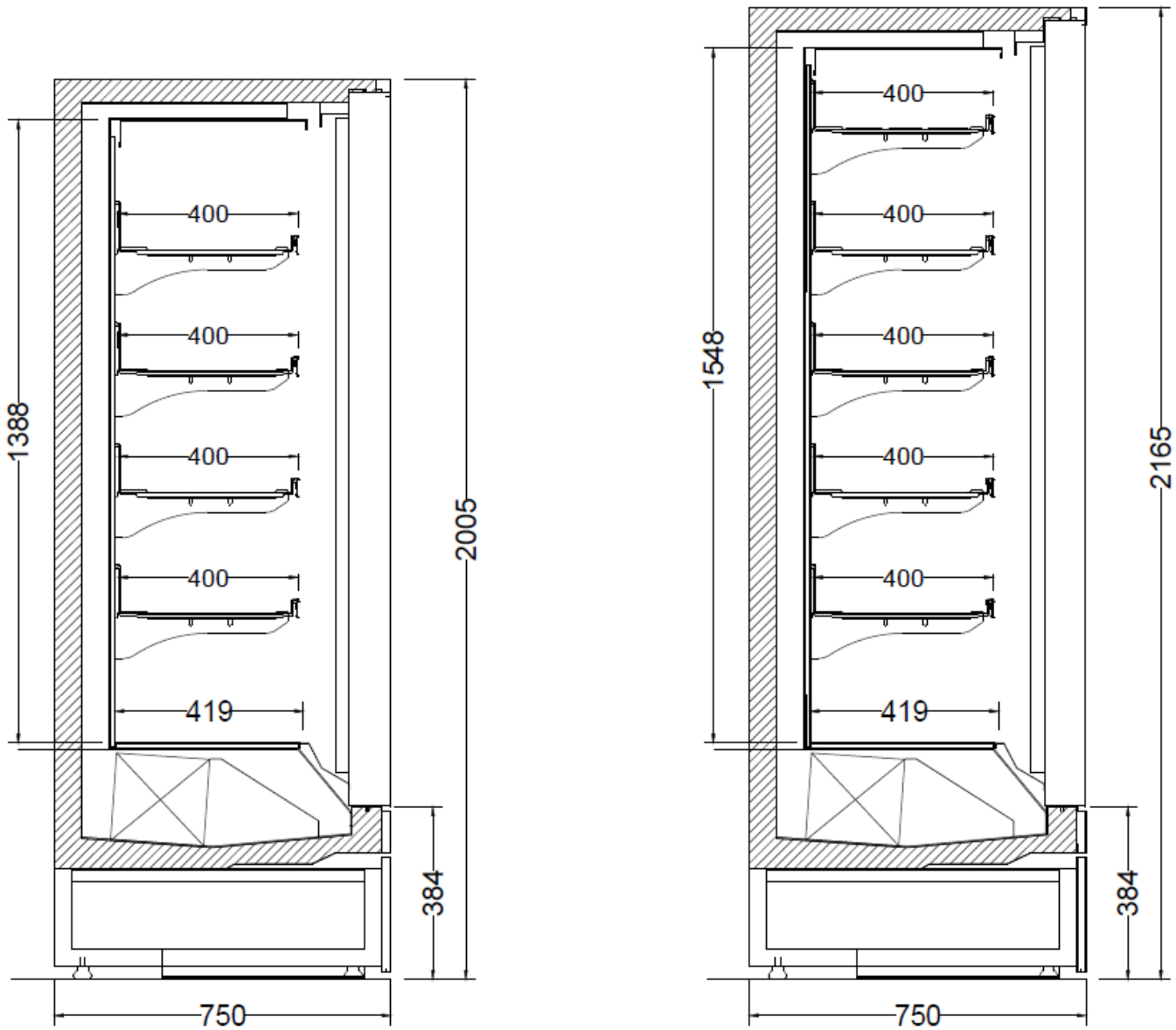
11.1 Cosmetic Parts List21

7. ENGINEERING 24

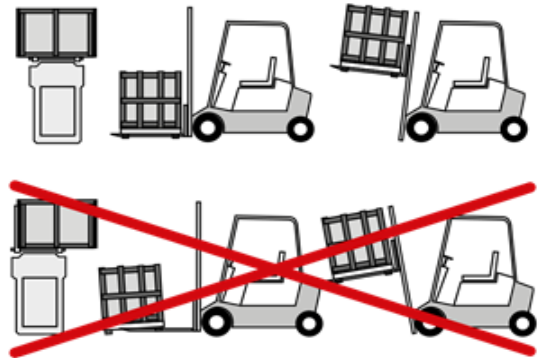
7.1 Engineering Parts List24

1. Images

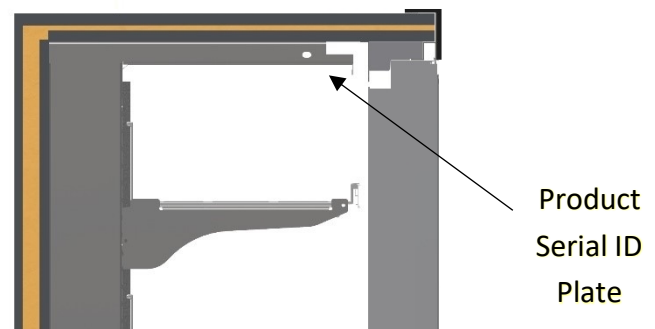
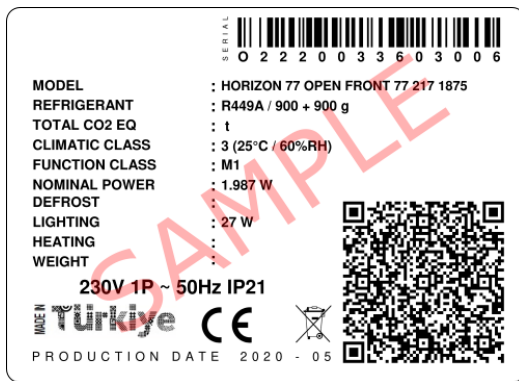
1.1 Installation Technical Drawing



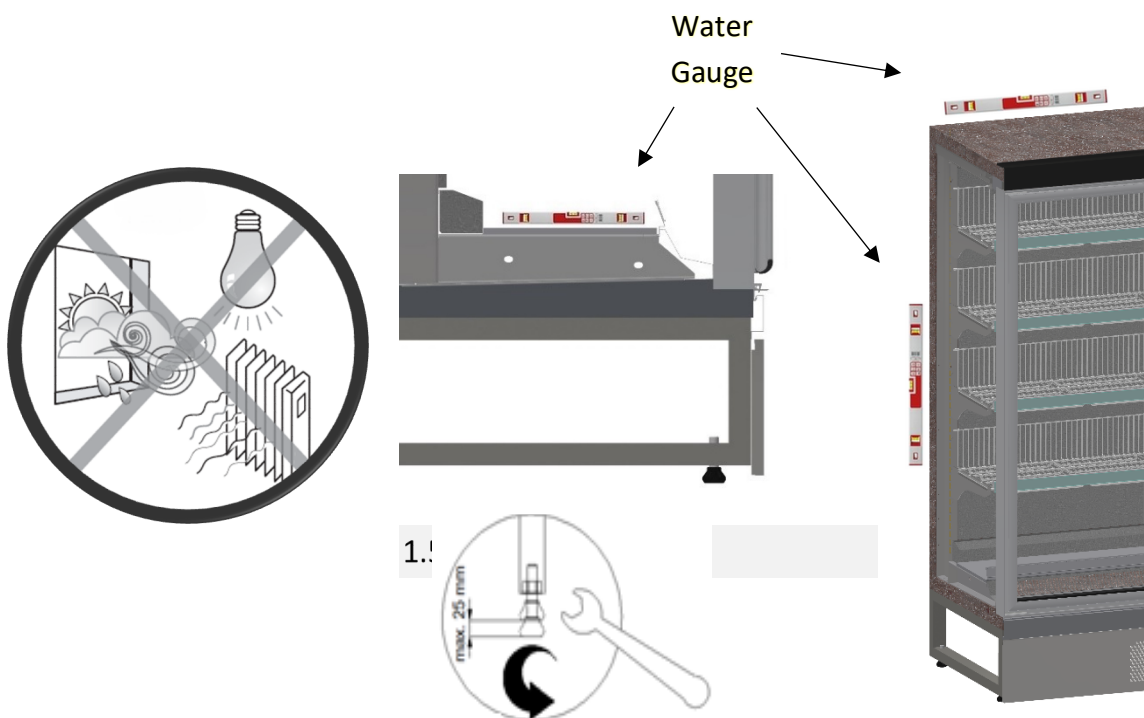
1.2 Transportation



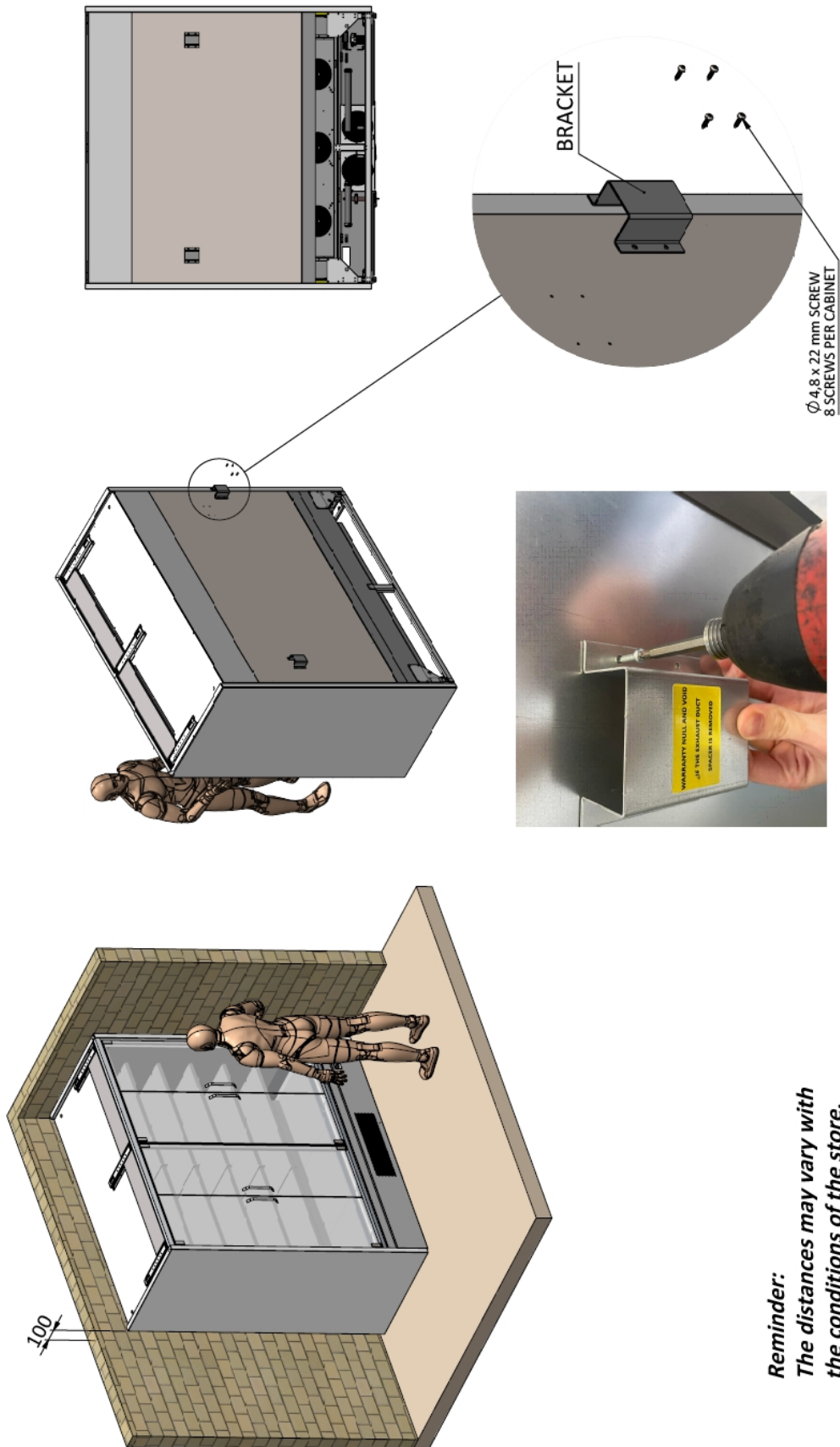
1.3 Product Serial ID Plate



1.4 Installation and Environmental Factors



Freezer



BRACKET

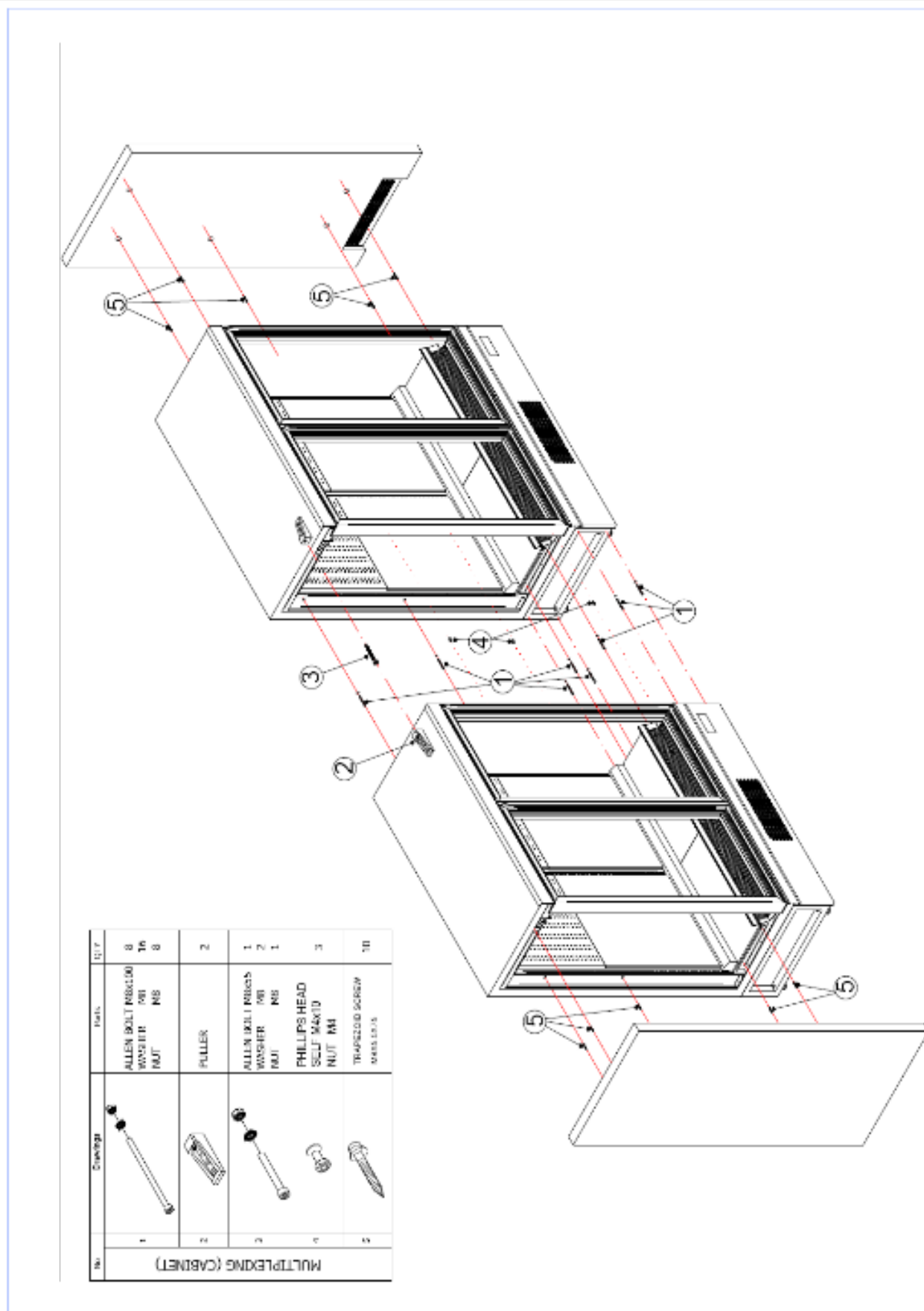
Ø 4,8 x 22 mm SCREW
8 SCREWS PER CABINET

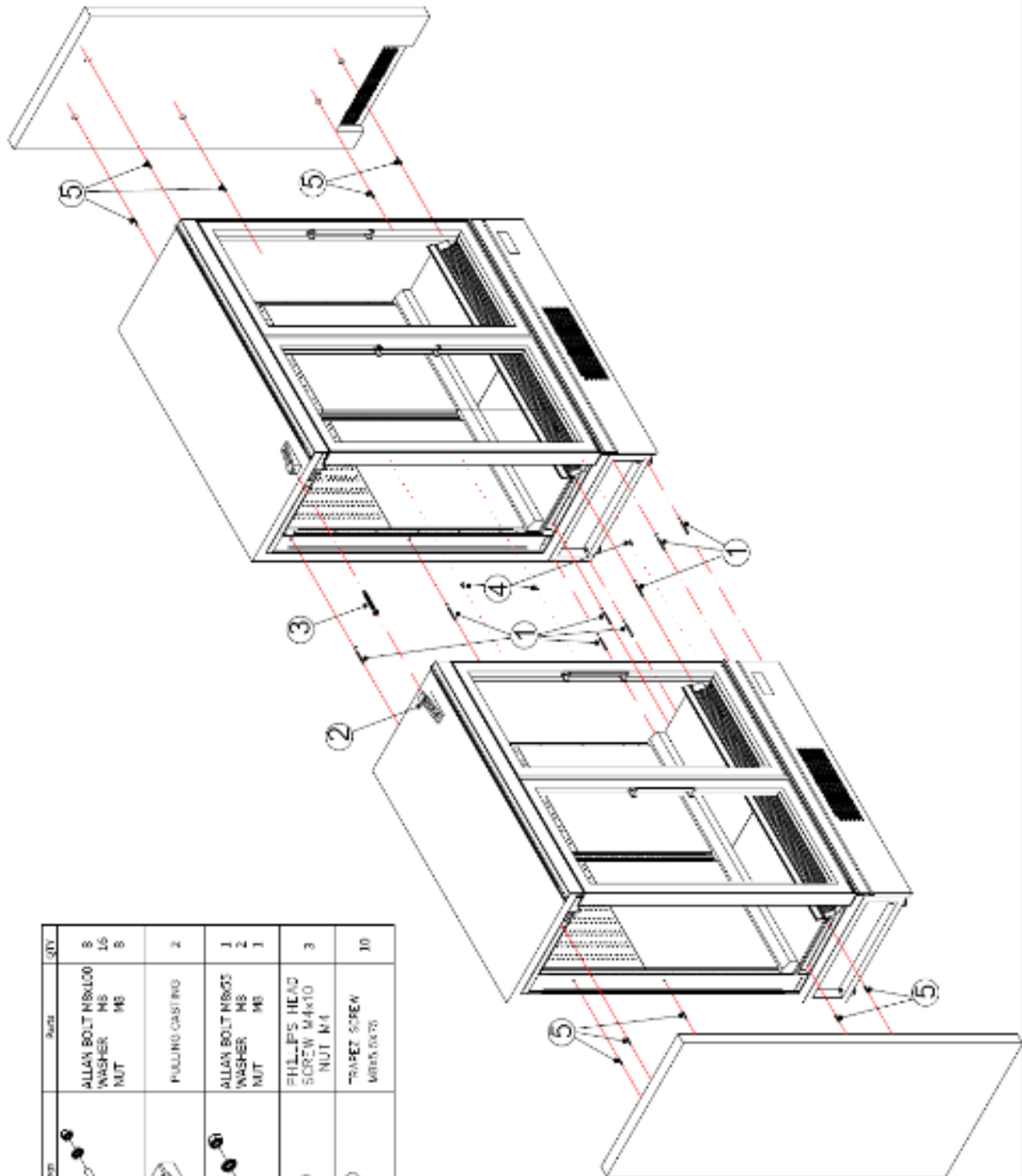
100


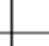
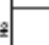







Reminder:
The distances may vary with
the conditions of the store.
The indicated ones are
suggestions.

2. IMAGES

2.1 MULTIPLEXING

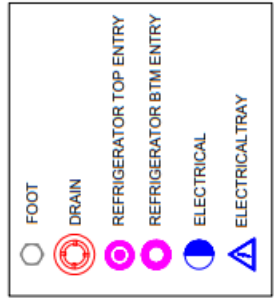
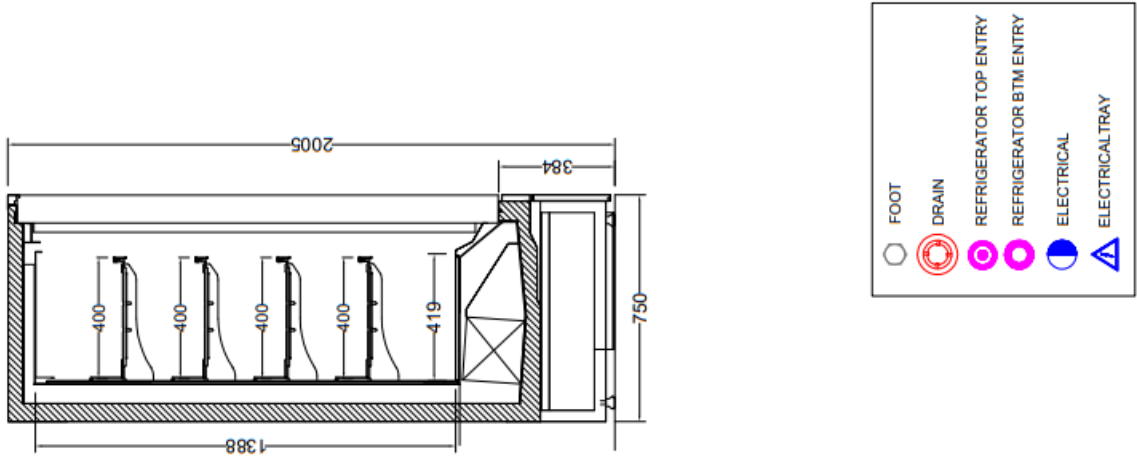




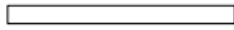
No.	Descrption	Part	QTY
1		ALLAN BOLT M8x100	8
		WASHER M8	16
		NUT M8	8
2		PULLING CASTING	2
3		ALLAN BOLT M8x100	1
		WASHER M8	2
		NUT M8	1
4		PHILLIPS HEAD SCREW M4x10	3
		NUT M4	3
5		TRAPEZ SCREW M8x5.5x75	10

MULTIPLEXING (CABINET)

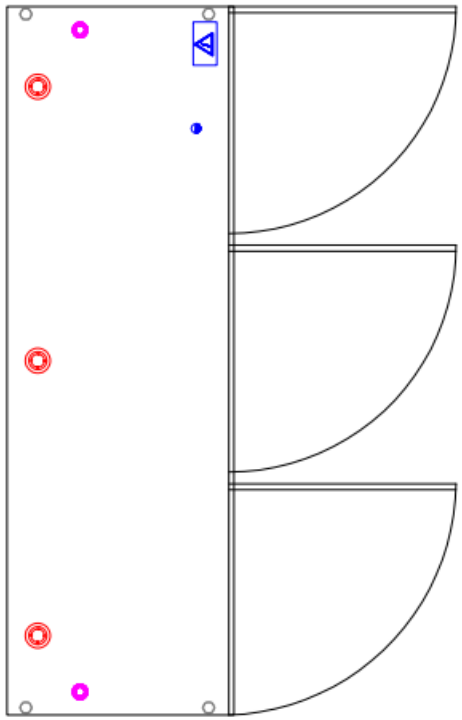
2.2 FOOTPRINTS



Side Wall - 50 mm

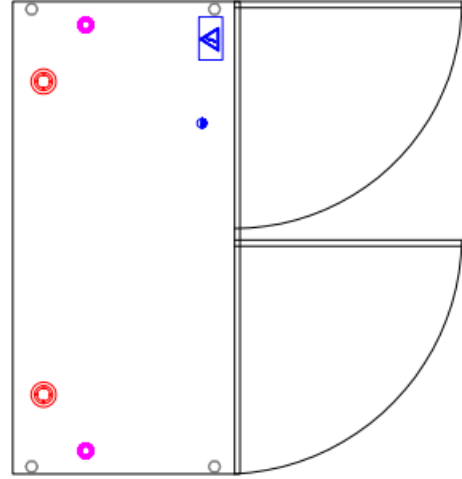
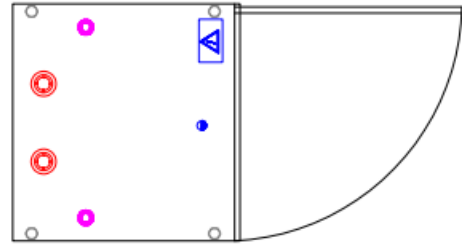


2342



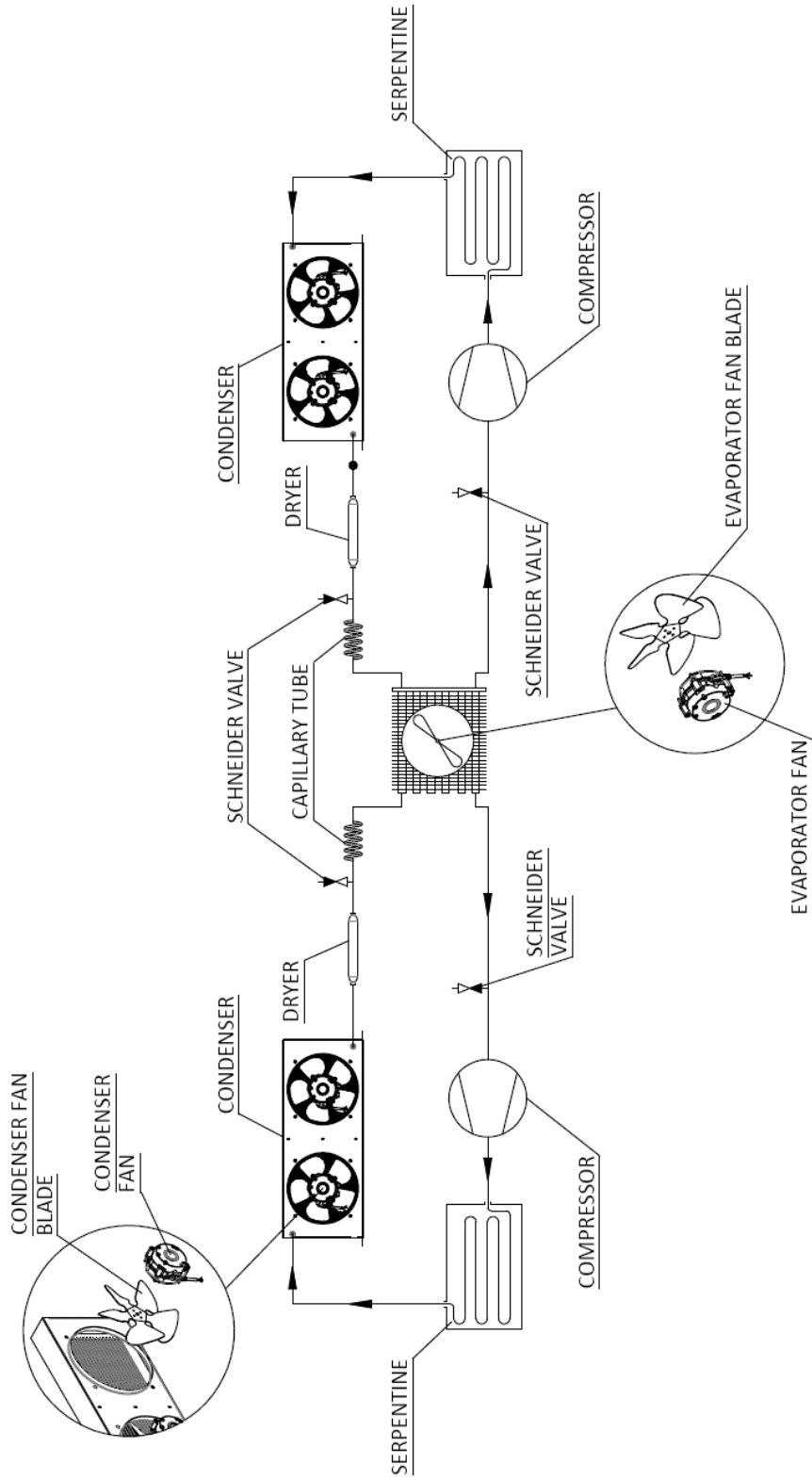
784

1562

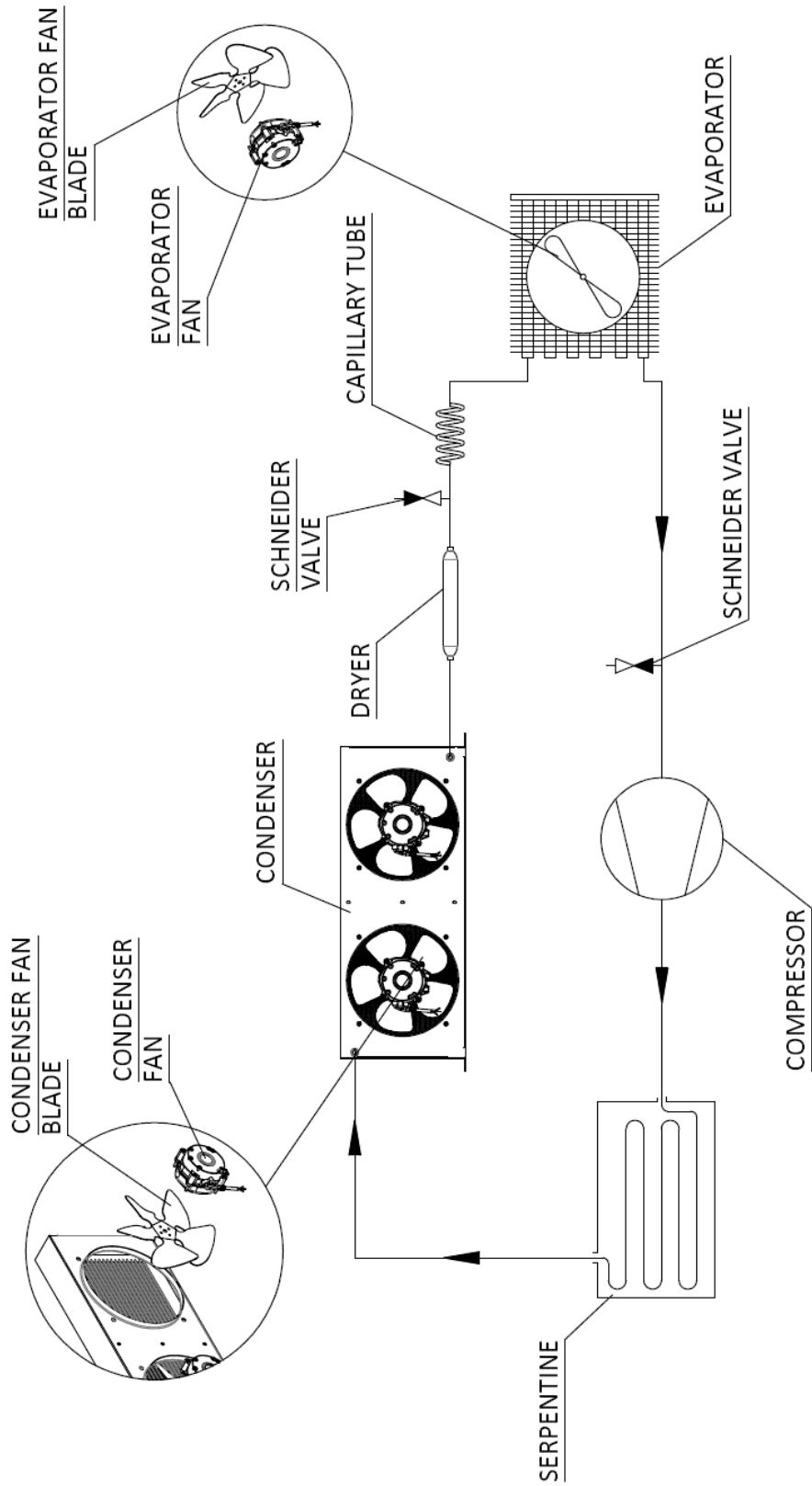


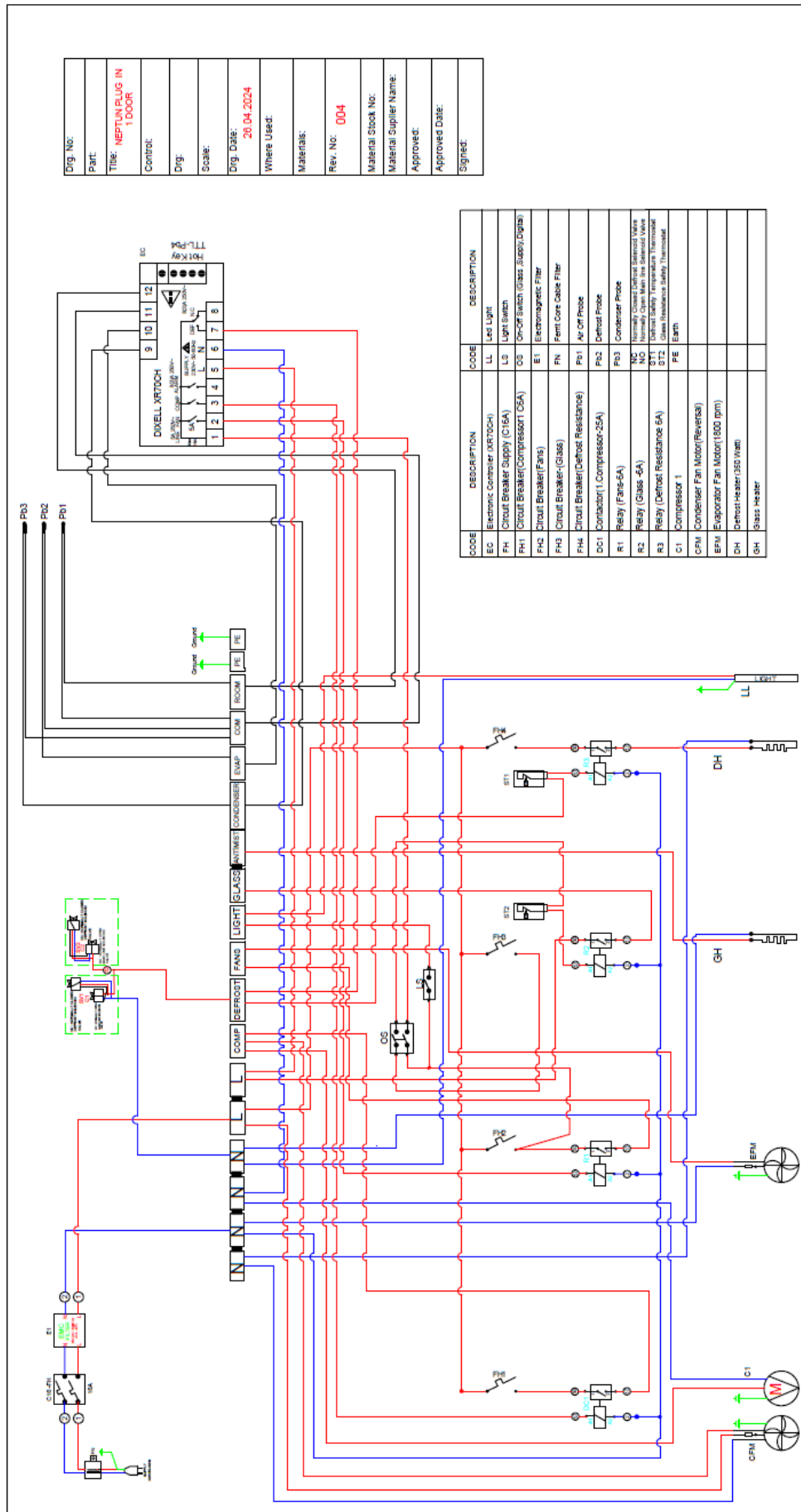
3. REFRIGERATION DIAGRAMS

PLUG-IN REFRIGERATION DIAGRAM

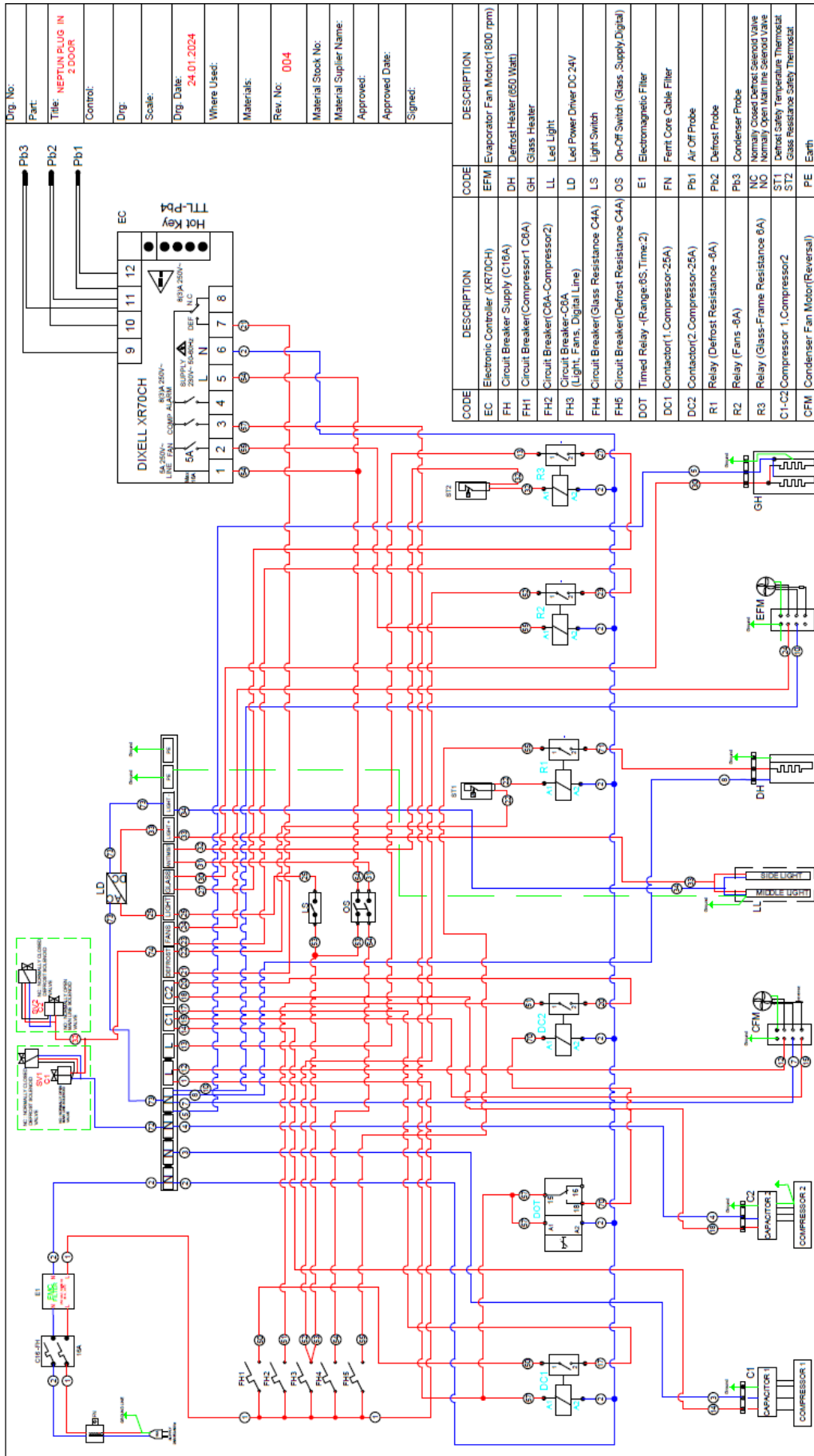


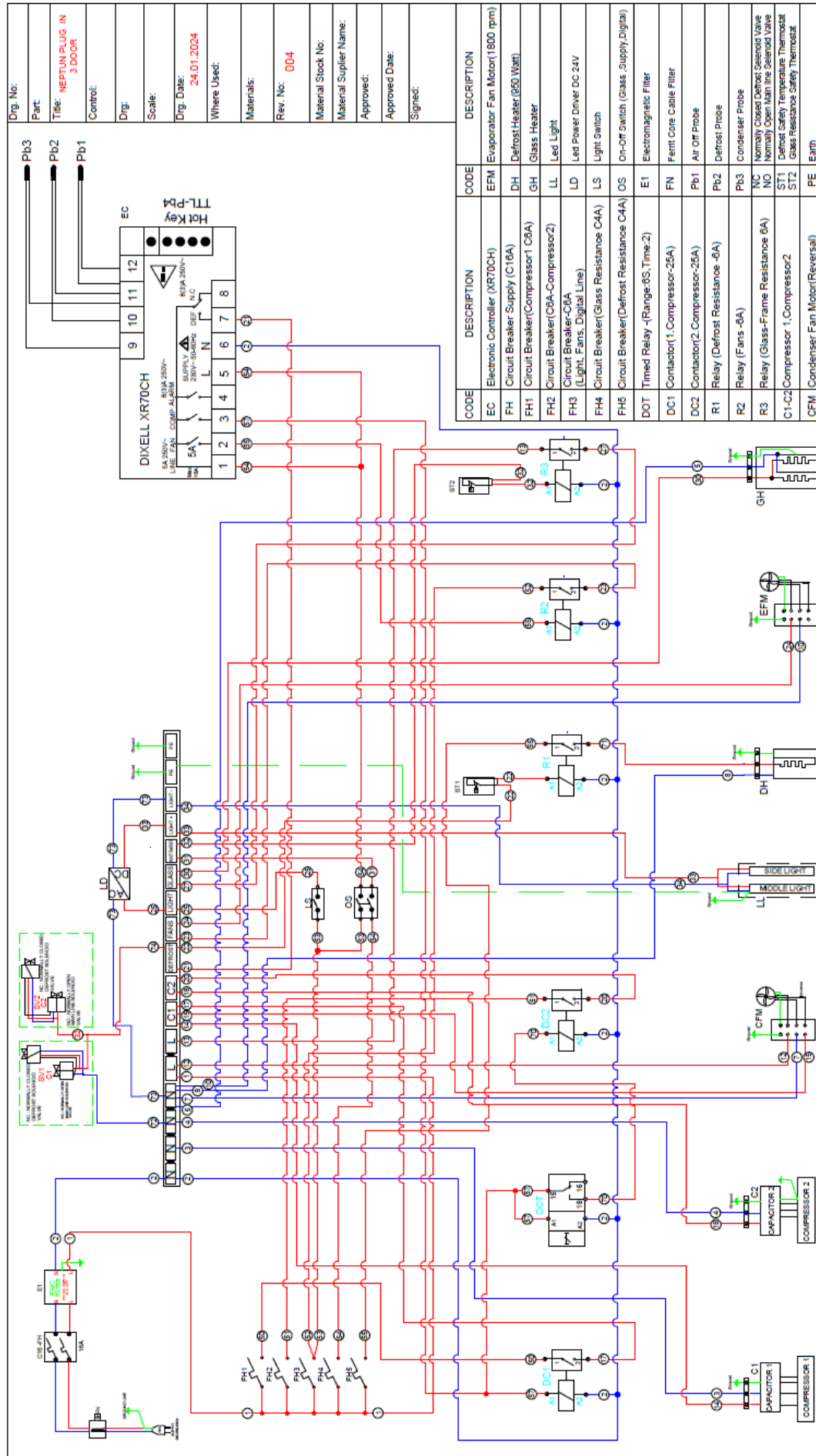
PLUG-IN REFRIGERATION DIAGRAM





Dwg. No.:
 Part: **NEPTUN PLUS IN 1 DOOR**
 Control:
 Dwg.:
 Scale:
 Dwg. Date: **26.04.2024**
 Where Used:
 Materials:
 Rev. No.: **004**
 Material Stock No.:
 Material Supplier Name:
 Approved:
 Approved Date:
 Signed:





Drg. No.:
 Part: **NEPTUN PLUS IN 3 DOOR**
 Control:
 Drg.:
 Scale:
 Drg. Date: **24.01.2024**
 Where Used:
 Materials:
 Rev. No: **004**
 Material Stock No:
 Material Supplier Name:
 Approved:
 Approved Date:
 Signed:

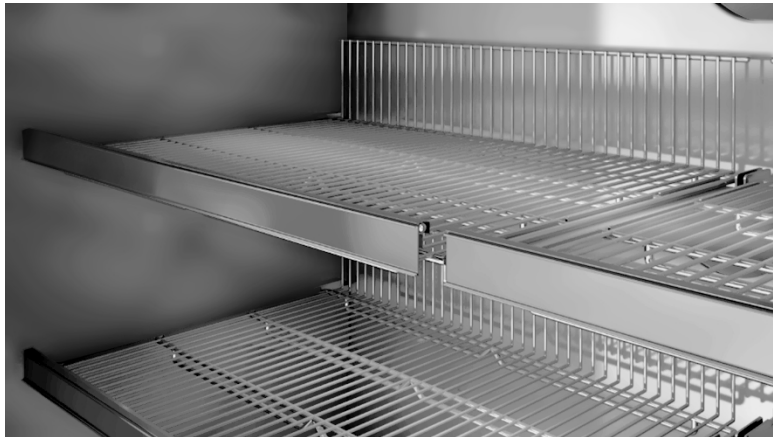
CODE	DESCRIPTION	CODE	DESCRIPTION
EC	Electronic Controller (XR70CH)	EFM	Evaporator Fan Motor (1800 rpm)
FH	Circuit Breaker Supply (C16A)	DH	Defrost Heater (850 Watt)
FH1	Circuit Breaker (Compressor1 C6A)	GH	Glass Heater
FH2	Circuit Breaker (C6A-Compressor2)	LL	Led Light
FH3	Circuit Breaker-C6A (Light, Fans, Digital Line)	LD	Led Power Driver DC 24V
FH4	Circuit Breaker (Glass Resistance C4A)	LS	Light Switch
FH5	Circuit Breaker (Defrost Resistance C4A)	OS	On-Off Switch (Glass Supply Digital)
DOT	Timed Relay (Range: 8S, Time: 2)	E1	Electromagnetic Filler
DC1	Contactor (1. Compressor-25A)	FN	Ferrit Core Cable Filler
DC2	Contactor (2. Compressor-25A)	Pb1	Air Off Probe
R1	Relay (Defrost Resistance -9A)	Pb2	Defrost Probe
R2	Relay (Fans -8A)	Pb3	Condenser Probe
R3	Relay (Glass-Frame Resistance 6A)	NC	Normally Closed Defrost Sensor Valve
C1-C2	Compressor 1, Compressor 2	NO	Normally Open Main Line Sensor Valve
CFM	Condenser Fan Motor (Reversal)	ST1	Defrost Safety Temperature Thermostat
		ST2	Glass Resistance Safety Thermostat
		PE	Earth

4. Electrical Wiring Diagram

5. INSTALLATION

5.1 ASSEMBLY

- All assembly work must be done by qualified personnel.
- Adjustable shelves should be placed in the appropriate holes on the back panel.
- It is recommended that placement of shelves is carried out by two personnel. First, remove the shelf to place it in the desired location. Then, after removing the shelf brackets and placing them in the desired position, place the shelf back.
- Tags are placed at the front of the shelves.
- Plexi holders are optional.



5.2 POWER

- As a standard, the case is supplied at 230V-50 Hz.
- Please ensure that the local power supply is proper.
- Check the rating for your case model by consulting the table on page 7 of this manual and ensure that the plug is correctly fused.
- If the case is hardwired to the mains supply, a means of isolation must be provided.
- If a plug and socket supply is used, the plug should be accessible after the case is positioned.
- The case should be earthed.

6. OPERATION

6.1 SWITCHING ON

- Make sure the main power supply is connected.
- Press the ON/OFF switch on the control panel to turn on your cabinet.
- All the fans in the cabinet will start running.
- The temperature of the fridge starts to decrease in line with the predetermined value. You can find the value determined for the model you use on page 3.
- Press on the switch to turn on the lights.



The main power switch is located next to the digital control screen

Your cabinet is set to automatic defrost values. The temperature of the cabinet will be reflected on the control panel.

6.2 CASE INSPECTION

- Operating temperature, as indicated on the controller mounted on the front of the case, should be checked on a daily basis.
- Cases should be monitored on a daily basis for any undue noise, smell or malfunction. In such cases, immediate action must be taken.
- Regularly inspect the case for milk spillage or debris in the air grilles, case well and condensate tray. Remove and clean spillages and debris. The water tank should be checked regularly and care should be taken to keep it clean at all times.

6.3 MERCHANDISING

- Allow the case to operate at least for two hours before loading merchandise.
- When loading cases, do not exceed loading limits or allow product to overhang the shelf front edges or obstruct air return grilles.
- A tidy, well merchandised case will function more efficiently than a badly loaded one.
- Ensure free air flow around the merchandise and between the air discharge and return ducts.
- Always load chilled product. Your display case is designed to maintain the temperature not to reduce it. If warm product is loaded into the case, there may pass some time before the case reaches its desired operating temperature.

7. CLEANING AND GENERAL MAINTENANCE

7.1 GENERAL

- A regular and thorough cleaning regime is essential for the efficient and hygienic operation of your display case.
- Before undertaking any cleaning operation, ALWAYS turn the case off and if possible, disconnect it from the mains power supply.
- Avoid water splashing onto the case's electrical elements. If water splashing occurs, make sure that all electrical components are thoroughly dry before reconnecting to the power supply.

7.2 EXTERIOR / INTERNAL SURFACES, SHELVES AND AIR GRILLES

- Painted or metal surfaces should be cleaned with a cloth soaked in warm soapy water. Surfaces should be dried with soft cloth.
- Shelves should be removed for cleaning as above.

7.3 GLASS AND MIRROR

- Glass and mirrored end-walls should be cleaned with a suitable glass cleaner. Glass and mirrored surfaces may be wiped with a soft dry cloth.

7.4 CASE WELL

- Lift out deck trays and sweep or vacuum any debris from the case well.

8. CLEANING

8.1 FAN DECK

- Lift the fan plate in order to allow cleaning around the fans.
- ALWAYS make sure that fans are not running by switching the case off!

8.2 AIR COOLED CONDENSER AND COOLING FINS (P&P)

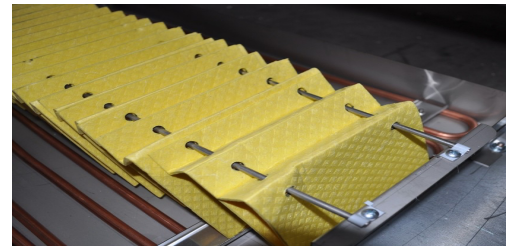
- Carefully vacuum dust and airborne debris from the condenser unit and cooling fins.
- Exercise care not to damage fins.
- Beware of the sharp fins and take care when cleaning this area.



Vacuum dust and debris from the condenser unit and cooling fins

8.3 CONDENSATE TRAY (P&P)

- The self-evaporating water tray which collects defrost water should be cleaned regularly.
- Spilled milk and other dairy products collecting in the condensate tray may lead to odor and should be cleaned immediately.



Condensate tray should be cleaned regularly

8.4 WATER OUTLETS

- Outlets for waste water should be cleaned regularly to ensure a continuous flow of waste water.

8.5 LIGHTING

- Lights can be wiped with a soft cloth after making sure they have been turned off beforehand.

9. DEFROST

- Your cabinet automatically defrosts twice a day. Defrost time is around 20 minutes.
- The first defrost period is activated at least 12 hours after the cabinet starts to operate.

10. SERVICE REQUEST AND SAFETY

- The operating temperature on the control panel must be checked daily. In the event of malfunction or failure, you should request a service engineer visit as soon as possible. If in doubt, turn off the case and disconnect it from the mains supply.
- In the event of case failure, remove perishables from the display case and store in an alternative, suitably chilled location to avoid deterioration of merchandise.
- Servicing of your case should only be undertaken by an approved Service Engineer. Failure to comply may invalidate your warranty.

10.1 SERVICE SAFETY CHECKS

1. Use a leak detector for a background check on the appliance. The detector must be certified for use with the specific refrigerant class. In case of flammable refrigeration detection, ventilate and evacuate the room immediately and notify the customer.
2. Make sure that an appropriate fire extinguisher is on site. Technicians must be trained to use these extinguishers.
3. Make sure that the area is well ventilated and free from flame or burning materials such as cigarettes, candles etc.
4. Check the appliance and its surroundings for any irregular signs of ignition. Do not operate in case of such signs and contact the manufacturer.
5. If the appliance is being transported, take extra care not to damage the appliances, especially the refrigerant carrying pipes and components.

WARNING: Check and follow the compressor manufacturer's instructions for the specific refrigerant for removal and recharging of the refrigerant.

10.2 Disposal of Appliances Containing Flammable Refrigerants

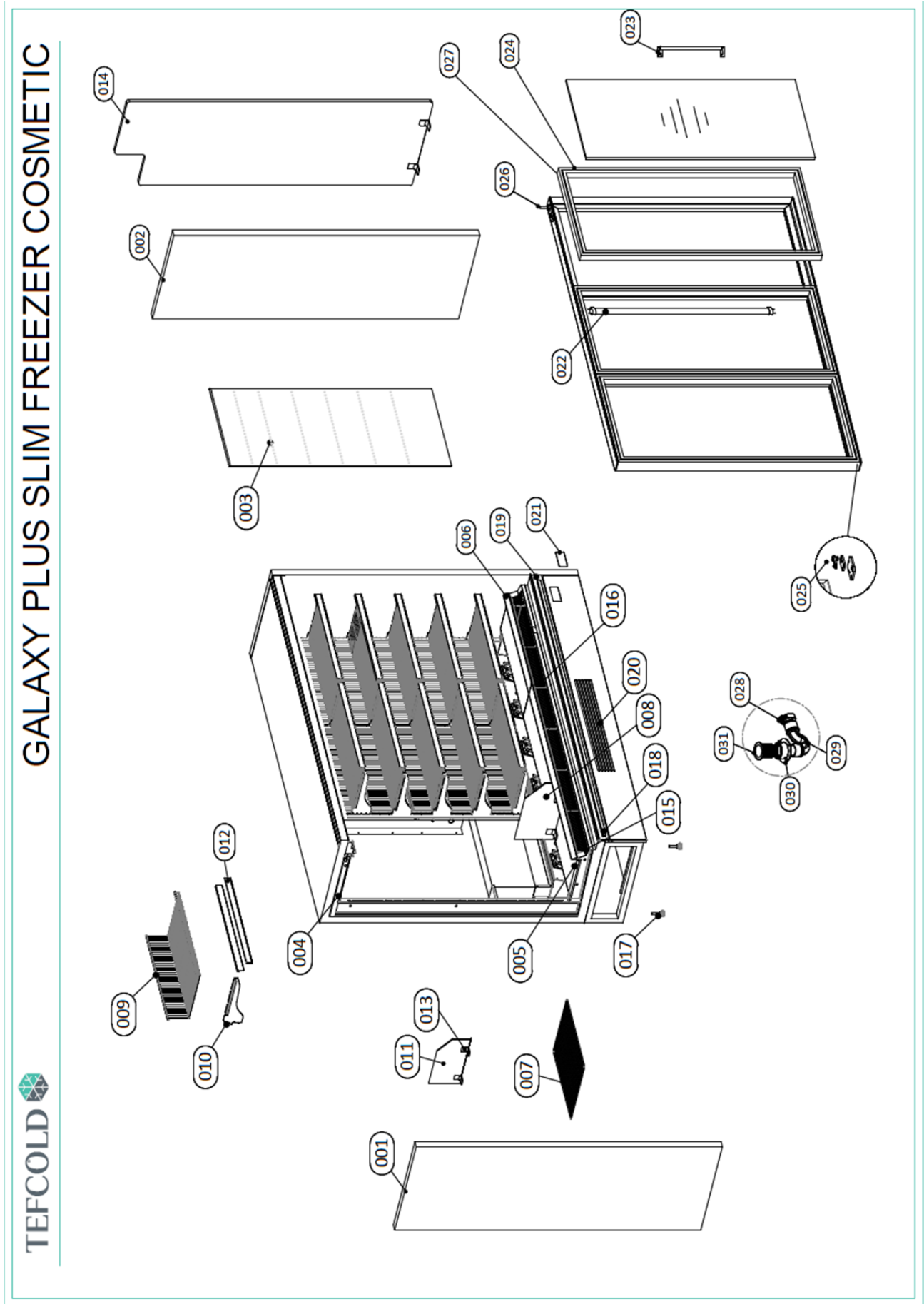
- A written plan for the disposal of scrap appliances carrying flammable refrigerants should be developed and followed by the service team.
- Prior to disposal of the device, the gas must be recovered or evacuated.
- The service technician shall comply with relative domestic laws and regulations while performing disposal.
- In case of recovery, follow the manufacturer's instructions for recovering the refrigerant in a suitable container and transporting it to a licensed refrigerant reclamation or destruction facility.

- Flammable hydrocarbon refrigerants that can be released to outside, such as R-600a or R-290 should be safely retrieved from the appliance and evacuated to the outside environment, away from ignition sources or air intakes. Ensure effective grounding and bonding of the appliance while removing the refrigerant.

10.3 ADDITIONAL WARNINGS

- The instructions concerning persons (including children) with reduced physical, sensory or mental capabilities, or lack of experience and knowledge and children playing with the appliance are not required. (EN 60335-2-89)
- The cabinets' load bearing capacity is 160 kg/m², load the cabinet accordingly.
- Do not store explosive substances such as aerosol cans with a flammable propellant in this appliance.
- **WARNING:** Do not use electrical appliances inside the food storage compartments of the appliance, unless they are of the type recommended by the manufacturer. (EN 60335-2-89)

11. COSMETIC

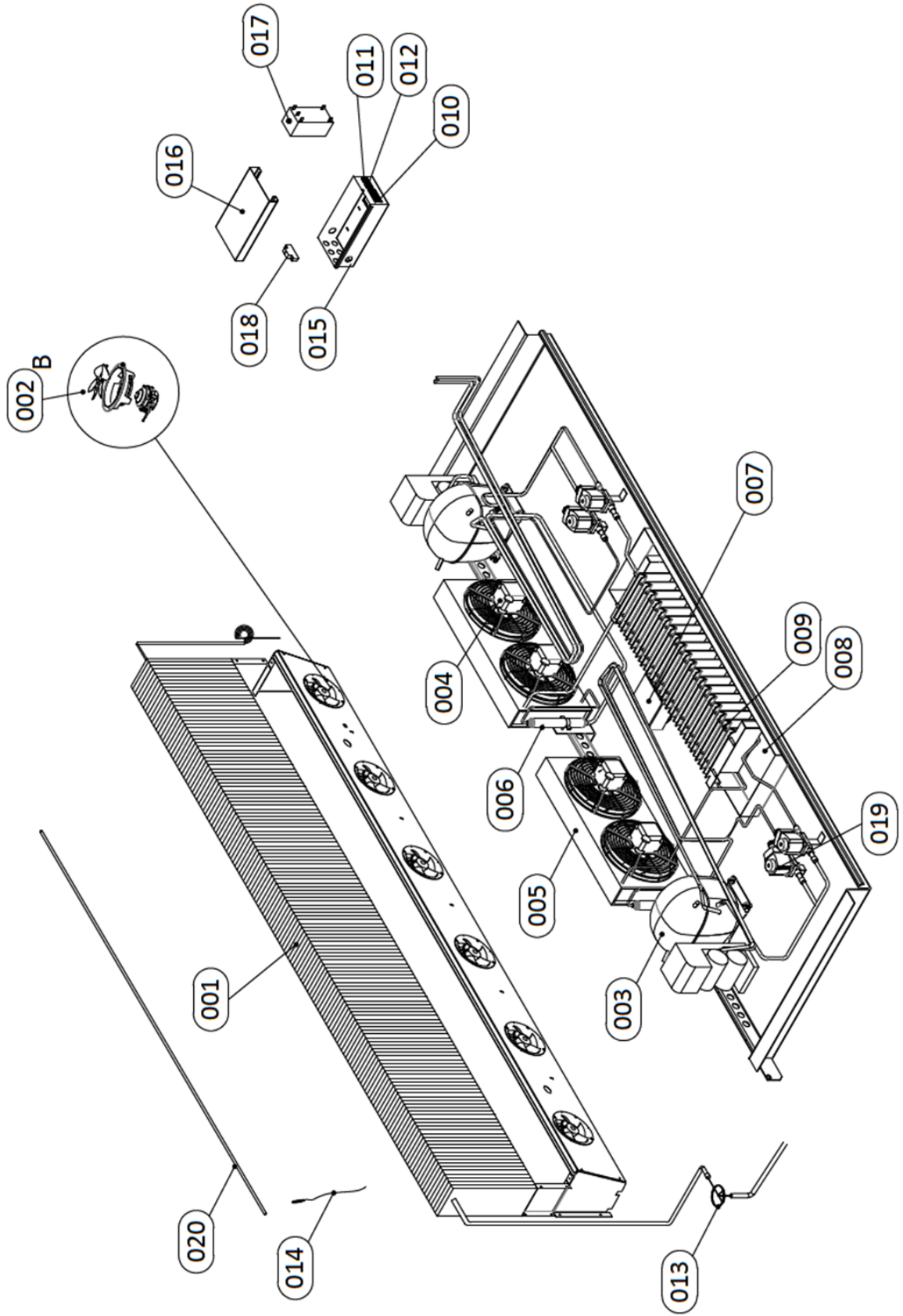


11.1 Cosmetic Parts List

GALAXY PLUS SLIM FREEZER COSMETIC PART LIST			
NR.	DESCRIPTION	NURDIL CODE	NURDIL VARIANT DESCRIPTION
1	Block end wall Right	2800100001	D740 H2035
	Block end wall Left	2800100002	D740 H2035
	Block end wall Right	2800100001	D740 H2165
	Block end wall Left	2800100002	D740 H2165
2	Intermediate Block end wall	2800316	D740 H2035
	Intermediate Block end wall	2800316	D740 H2165
3	Back panel	2800465	W783 H2035
	Back panel		W783 H2165
4	Ceiling panel	2800431	W783
	Ceiling panel		W1563
	Ceiling panel		W2343
5	Base deck	2800433	W783
6	Base deck price tag profile	302214003273	W783
	Base deck price tag profile		W1563
	Base deck price tag profile		W2343
7	Base deck wired plate	304237074052	W783
8	Base deck plexi divider	2800100003	
9	Wired shelf 400 mm (Including Brackets)	304236073034	W783
10	Wired shelf bracket 400 mm (Right)	2800237	D740
	Wired shelf bracket 400 mm (Left)	2800373	
11	Shelf divider	2800100004	
12	Wired Shelf price tag profile	302214003276	
13	Divider Carrier	2800123	
14	System divider	2206500001	D740 H2005
	System divider		D740 H2165
15	Air return grill	2800474	W783
	Air return grill		W1563
	Air return grill		W2343
16	Air return grill support	2800444	
17	Foot	311347381001	
18	Bumper (plastic)	302214003122	W783
	Bumper (plastic)		W1563
	Bumper (plastic)		W2343
19	Front panel trim	2800482	W783
	Front panel trim		W1563
	Front panel trim		W2343
20	Front panel	2800486	W783
	Front panel		W1563
	Front panel		W2343
21	Display cover plexi	2800490	
22	Vertical door led light 4000 K (each)	310319301022	
	Vertical door led light 6500 K (each)	310319301023	
23	Door Handle	2203004	
24	Door with heater left	304239076458	H 2005 (specify colour)
	Door with heater right	304239076456	H 2005 (specify colour)
	Door with heater left	304239076457	H 2165 (specify colour)
	Door with heater right	304239076419	H 2165 (specify colour)
	Bounding Door left	304239076732	H 2005 (specify colour)
	Bounding Door right	304239076489	H 2005 (specify colour)
	Bounding Door left	304239076733	H 2165 (specify colour)
	Bounding Door right	304239076414	H 2165 (specify colour)
25	Door bottom hinge left	304239076417	
	Door bottom hinge right		
26	Door top hinge right	304239076459	

	Door top hinge left	304239076460	
27	Door Gasket for heated door	304359080101	H 2005
	Door Gasket for Bounding door	304359080119	H 2005
	Door Gasket for heated door	304359080092	H 2165
	Door Gasket for Bounding door	304359080100	H 2165
28	Drain Pipe Clamp	311344375001	
29	Drain siphon	308296220076	
30	Plastic Drain Fixing Nut	308296220004	
31	Spiral Pipe	308296220297	

GALAXY PLUS SLIM FREEZER ENGINEERING



7. ENGINEERING

7.1 Engineering Parts List

GALAXY PLUS SLIM FREEZER ENGINEERING PART LIST			
NR.	DESCRIPTION	NURDIL CODE	NURDIL VARIANT DESCRIPTION
1	W783 module evaporator	303222043882	
	W1563 module evaporator	303222043883	
	W2343 module evaporator	303222043884	
2	Fan with fan guard EBM-W1G200-EC91-45	310323305019	
3	Compressor EMBRACO NEX 2180 UB	303220036072	W783 W2343
	Compressor SECOP NLE12.6CNL	303220032021	W1563
4	Condenser EC fan motors assembly fan and fan guard Wellington ECR-2 911	310323305013	
5	Micro channel condenser EU15	303221042081	Left
	Micro channel condenser EU15	303221042082	Right
	Micro channel condenser EU06	303221042083	Left
	Micro channel condenser EU06	303221042084	Right
6	Copper dryer 20 gr	303224045022	
7	Electrical connection box	310330316002	
8	Condensate water tray assembly	2602045	
	Condensate water tray assembly		
	Condensate water tray assembly		
9	Sponge	2600119	
10	Digital controller DIXELL XR70	310316280061	
11	On-off switch	310317282028	
12	Light switch	310317282028	
13	Capillary 0,8 mm x 260 mm	2602027	W1563
	Capillary 1,05 mm x 1500 mm	2600097	W2343
14	Probe NTC 1,5m DIXELL	310316280124	
	Probe NTC 3m DIXELL	310316280084	
	Probe NTC 5m DIXELL	310316280081	
15	Electrical Box (without digital controller, EMC filter, on off switch, lighting switch, relay)	2602039	
16	Electrical Box Cover	2602038	
17	EMC Filter	313380550257	
18	Relay	310315279019	

19	Solenoid Valve	303227049005 303227049003	
20	Rod Heater 950W	310332319006	W2343
	Rod Heater 650W	310332319005	W1563